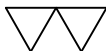
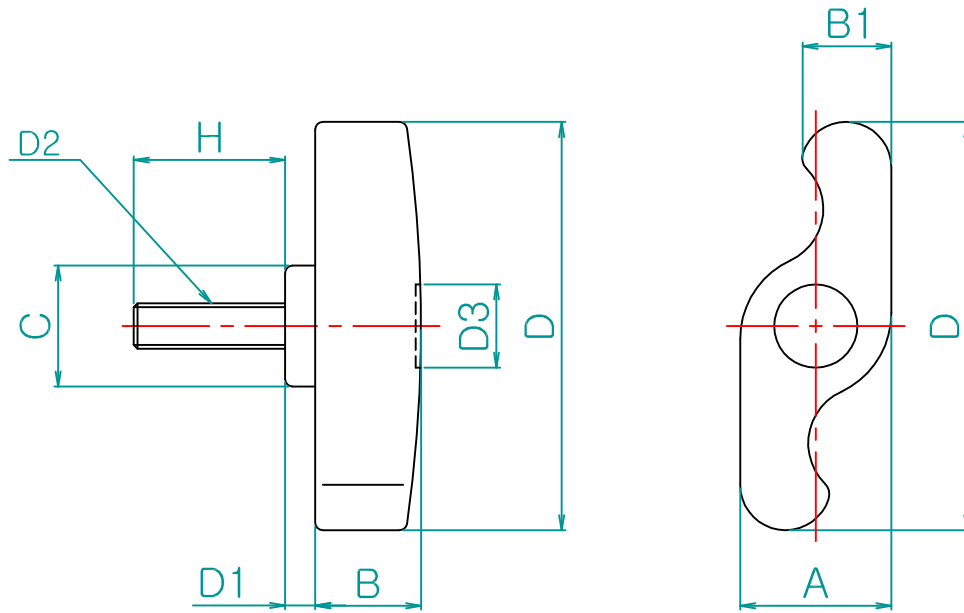


Dwg. No.



| Rev. No. | DESCRIPTION | DATE | DS. | CH. | AP. |
|----------|-------------|------|-----|-----|-----|
| △ | | | | | |
| △ | | | | | |
| △ | | | | | |



unit : mm

| 제품명 | D2 | H | A | B | B1 | C | D1 | D3 | D |
|--------|---|--|----|----|----|----|----|----|----|
| TKB 54 | M10 | 10,15,20,25,30,35,40,50, 55,65,70,75,85,95,105 | 20 | 18 | 12 | 16 | 4 | 11 | 54 |
| | M8 | | | | | | | | |
| | M6 | | | | | | | | |
| | M5 | | | | | | | | |
| TKB 72 | M12 | 10,15,20,25,30,35,40,50, 55,60,65,70,75,85,95,105, 110,115,120 | 23 | 16 | 15 | 21 | 15 | 15 | 72 |
| | M10 | | | | | | | | |
| | M8 | | | | | | | | |
| | M6 | 9,12,15,20,25,30,35,40,50, 55,60,65,70,75,85,95,105, 110,115,120 | | | | | | | |
| | IN $\frac{3}{8}, \frac{1}{2}, \frac{5}{8}, \frac{3}{4}$ | 15,20,25,30,35,40,50,70 | | | | | | | |
| TKB 90 | M12 | 10,15,20,25,30,35,40,50 | 32 | 24 | 19 | 26 | 27 | 19 | 90 |
| | M10 | 60,70,80,90,100,110 | | | | | | | |
| | M8 | | | | | | | | |

Note

- 특징 :
- 용도 :

| | 재질 | 표면처리 |
|-----|------|---------|
| 노브부 | 페놀수지 | 흑색유광 |
| 나사부 | SS41 | 3가 유색도금 |

| Dimension (mm) | Precision | Material | Dwg. No. | QTY |
|----------------|-----------|--------------------|-------------------------------|-------------------------|
| 0.5~3 | ±0.05 | 페놀수지 | Part Name. ** | Weight |
| 3~6 | | 흑색유광 | | - |
| 6~30 | ±0.1 | Revision | Ass'y Name ** | Scale |
| 30~120 | ±0.15 | - | Sheet Size A3 | 1:1 |
| 120~315 | ±0.2 | Date 2010-09-07 | Designed by <i>Shin SH</i> | Model No. TKB |
| 315~1000 | ±0.3 | Checked by | Approved by | |
| 1000~2000 | ±0.5 | KS B 0412에 준함 | | |

