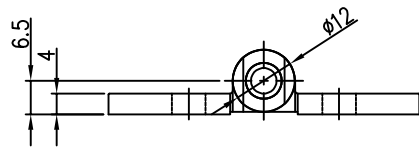
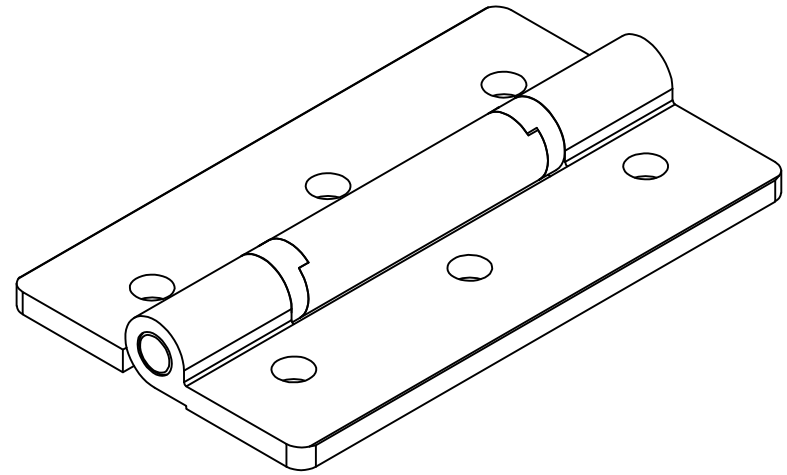
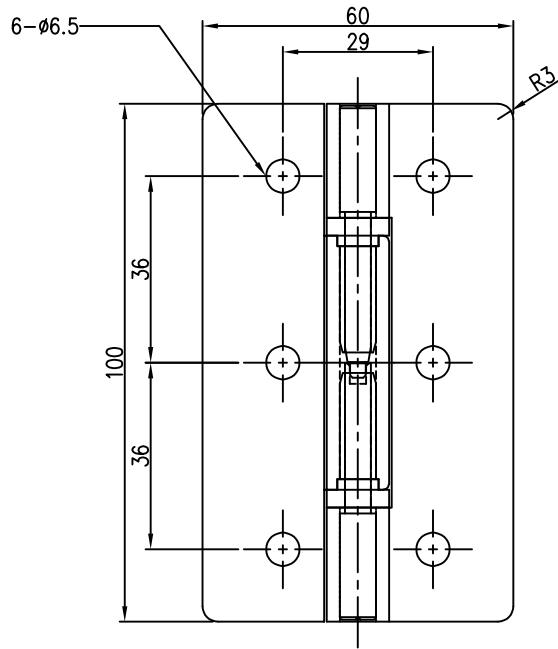


The use or communication of the contents there of are forbidden without express authority. (당사의 사전 허락없이 무단 전제 및 복사를 금함)

NO	REVISION RECORD	DATE	CHK.	APPR.



TOLERANCE(mm)
(KS B 0412에 준함)

6 이하	±0.05
6 ~ 30	±0.1
30 ~ 120	±0.15
120 ~ 315	±0.2
300 ~ 1000	±0.3
1000 ~ 2000	±0.5

Note

1. Torque = 5.4N.m (+/-20%)
2. 저분진 경첩

FINISH	MATERIAL	UNIT	mm	NO.	DESCRIPTION	DWG. NO	QTY	REMARK
전해연마	Body&Shaft-SUS304	APP.			DWG. NO.	-		V1.0
-	Bushing-PE	DWG.	2024.09.01		PART NAME	-		
QTY				1/1	ASS'Y NAME	Stainless Torque Hinge		
1 EA/SET				A3	MODEL NO.	CHT-555-10060-29		