

# YKCT-PH 125~200

고려중반

## 제품 특징 FEATURES

- 고려중에서도 안정적인 수평가능

## 적용 범위 APPLICATION

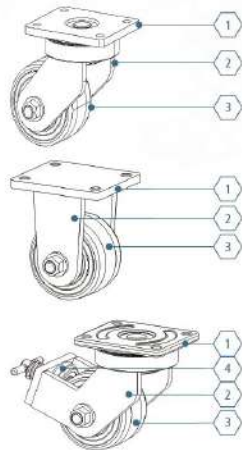
- 고려중용 장비, 굴린물장비  
- 고려중용 대차, 각종 기계장비



125SF-M

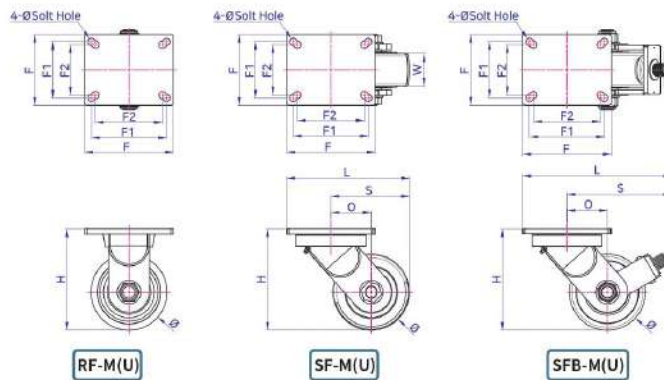


200SF-U



## 재료 MATERIAL & TREATMENT INFORMATION

No	개칭	표면처리
1	Caster seat	S45C Black Coated
2	Body	S45C Black Coated
3	Wheel	Artistic Poly Urethane +AL/Mc Nylon
4	Brake	TPE



## 규격 DIMENSION

MODEL	가중 (중량 W/WP)	Kg		Ø	W	F	F1	F2	Hole	H	L	S	O
		1EA	4EA										
YKCT-PH125RFU	6										175	-	-
YKCT-PH125SFU	9.5	1100	3300								227.5	140	77.5
YKCT-PH125SFB	10.5			Ø125	70	175x140	148x111	132x99	Ø14	170	290	203	-
YKCT-PH125RFM	5.5										175	-	-
YKCT-PH125SFM	9	1500	4500								227.5	140	77.5
YKCT-PH125SFBM	10										290	203	-
YKCT-PH150RFU	7										175	-	-
YKCT-PH150SFU	8.7	1500	4500		68					224	210.5	155	48
YKCT-PH150SFB	9.7			Ø150		175x140	148x111	132x99	Ø14		287	207	-
YKCT-PH150RFM	6.1										175	-	-
YKCT-PH150SFM	9.6	2200	6600		70					200	242.5	155	80
YKCT-PH150SFBM	10.6										294	207	-
YKCT-PH200RFU	9.6										200	-	-
YKCT-PH200SFU	13.1	2000	6000		68					275	247.5	175	60
YKCT-PH200SFB	14.1			Ø200		175x140	148x111	132x99	Ø14		296	224	-
YKCT-PH200RFM	7.5										200	-	-
YKCT-PH200SFM	11	2500	7500		70					260	262.5	175	75
YKCT-PH200SFBM	12										311	224	-