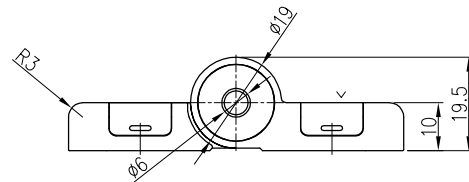
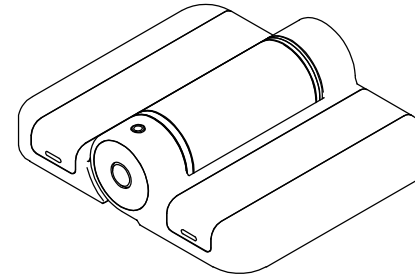
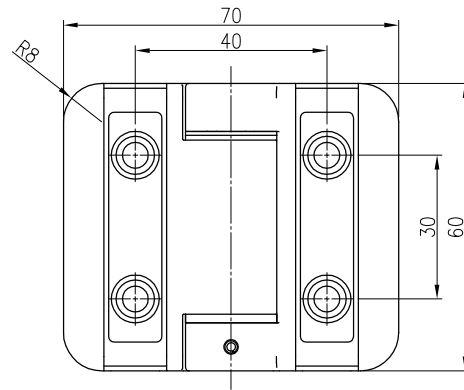
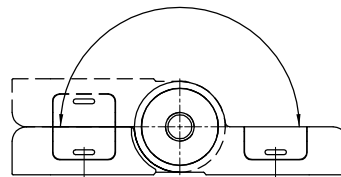


The use or communication of the contents there of are forbidden without express authority. (당사의 사전 허락없이 무단 전제 및 복사를 금함)

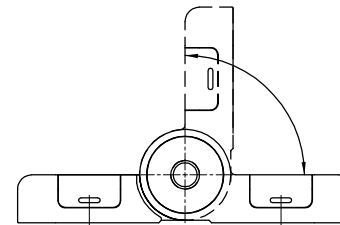
NO	REVISION RECORD	DATE	CHK.	APPR.



CH-DH6070-x



CH-DH6070-N



CH-DH6070-G2

TOLERANCE(mm) (KS B 0412에 준함)	
6 이하	±0.05
6 ~ 30	±0.1
30 ~ 120	±0.15
120 ~ 315	±0.2
300 ~ 1000	±0.3
1000 ~ 2000	±0.5

Note

1. 규격 :
2. 단위 :

FINISH	MATERIAL	UNIT	mm	NO.	DESCRIPTION	DWG. NO	QTY	REMARK
도금 : -	ZDC11	APP.			DWG. NO.	-		V1.0
도장 : -	-	DWG.	2019.05.17	<i>[Signature]</i>	PART NAME			
QTY				1/1	ASS'Y NAME			
1 EA/SET	<b>Hardware</b>			A3	MODEL NO.	CH-DH6070N, G2		