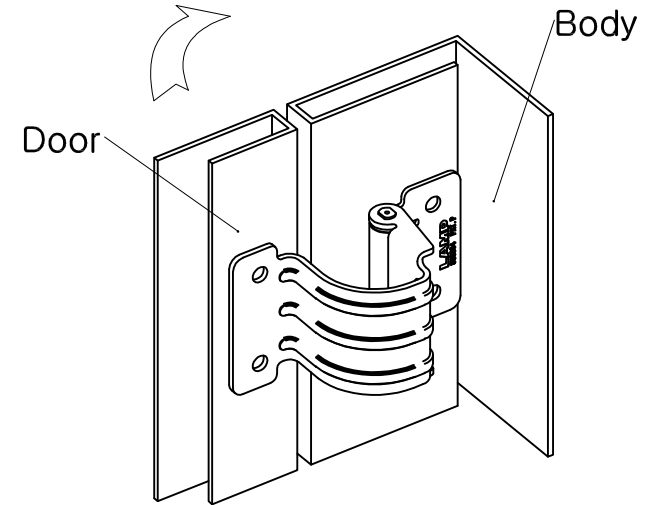
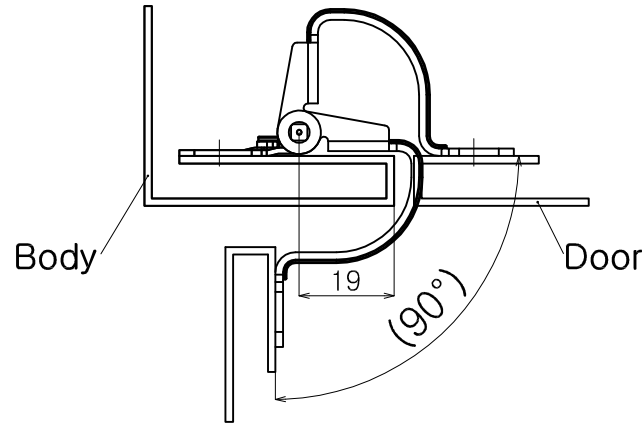
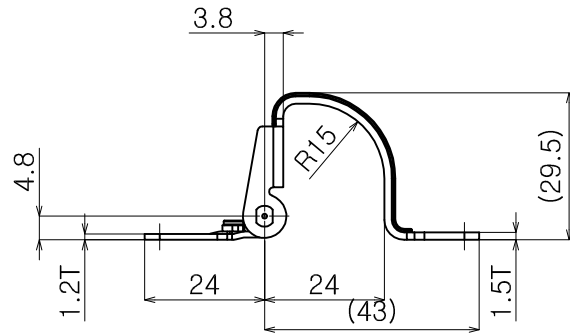
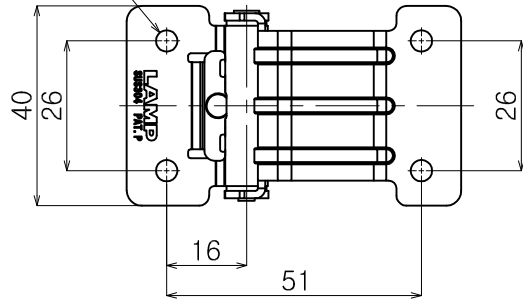


Dwg. No.

Re. No.	DESCRIPTION	DATE	DS.	CH.	AP.
△					
△					
△					



4-∅4.3



FLUSH SLAM LATCH

제품명	재질	표면처리	토크	무게(g)
CH-HG-TU07	Stainless Steel(SUS304)	광택연마	0.7N.m(7.1kgf.cm)	35
CH-HG-TU03	Stainless Steel(SUS304)	광택연마	0.35N.m(3.6kgf.cm)	35

Note

1. 특징 :

2. 용도 :

Dimension (mm)	Precision	Material	Dwg. No.	QTY
0.5~3		ST304		**
3~6	±0.05	Finish	Part Name.	Weight
6~30	±0.1	광택연마	**	-
30~120	±0.15	Revision	Ass'y Name	Scale
120~315	±0.2	-	**	1:1
		Sheet Size	Model No.	
315~1000	±0.3	A3	CH-HG-TU03,07	
1000~2000	±0.5	Date		
		2013-10-02		
		Designed by		
		Shin S H		
		Checked by		
		Approved by		
KS B 0412에 준함		Hardware		