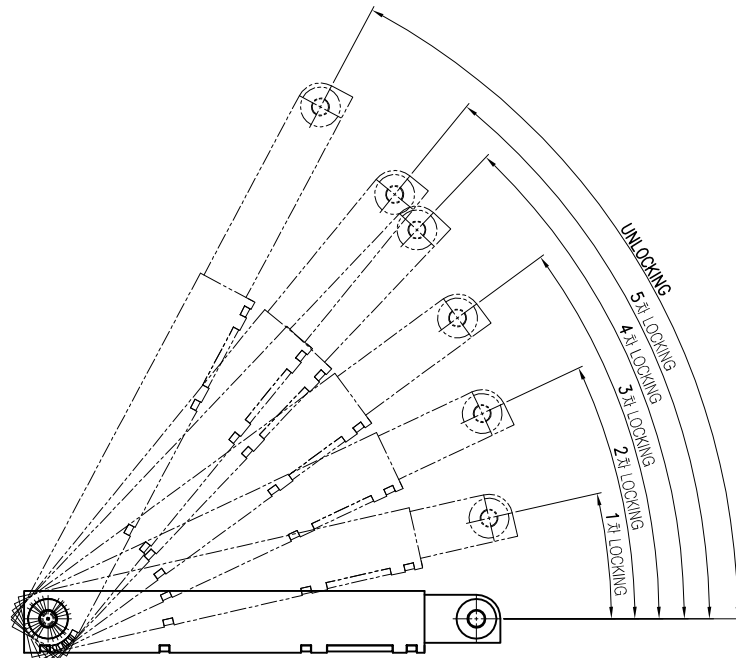
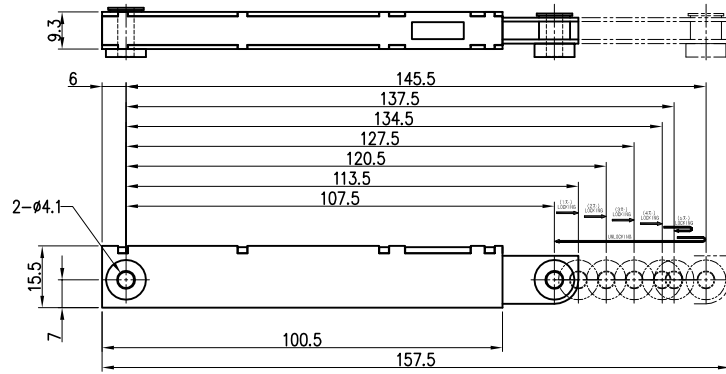


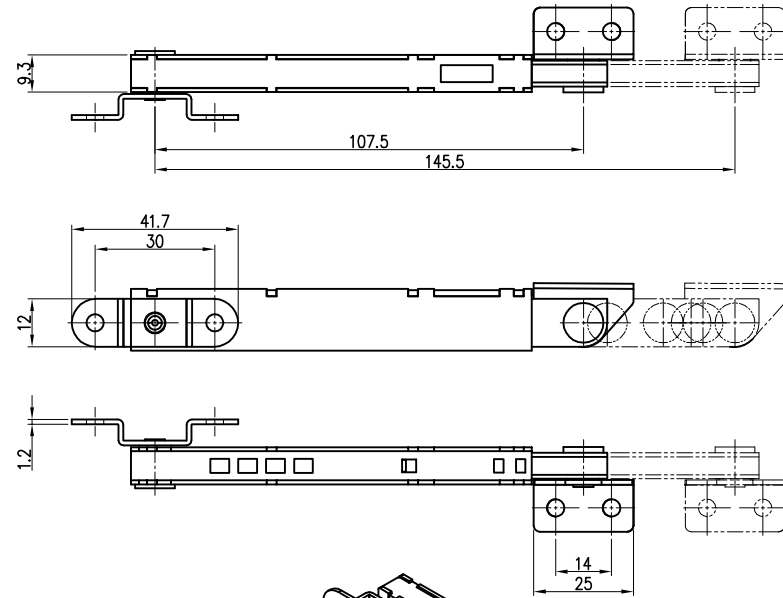
The use or communication of the contents there of are forbidden without express authority. (당사의 사전 허락없이 무단 전제 및 복사를 금함)

NO	REVISION RECORD	DATE	CHK.	APPR.

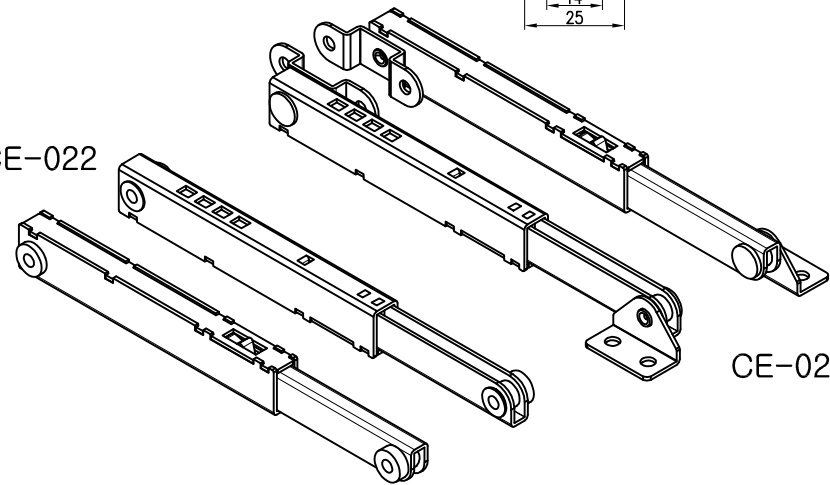
CE-022



CE-022-1



CE-022



CE-022-1

TOLERANCE(mm)
(KS B 0412에 준함)

6 이하	±0.05
6 ~ 30	±0.1
30 ~ 120	±0.15
120 ~ 315	±0.2
300 ~ 1000	±0.3
1000 ~ 2000	±0.5

FINISH	MATERIAL	UNIT	mm	NO.	DESCRIPTION	DWG. NO	QTY	REMARK
바벨연마	SUS 304 t=1.2	APP. DWG.	2020. 12. 15		DWG. NO. PART NAME ASS'Y NAME MODEL NO.	-	-	V1.0
QTY	1 EA/SET			1/1				
Hardware				A3				CE-022