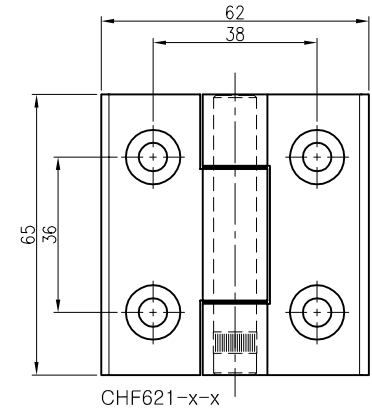
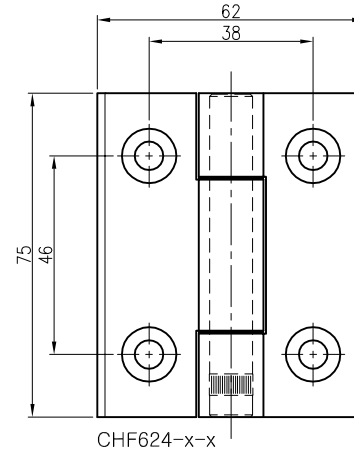
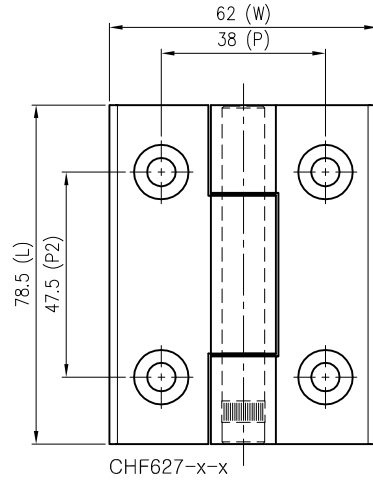
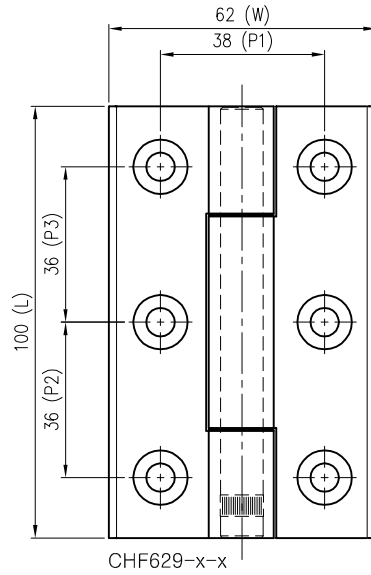
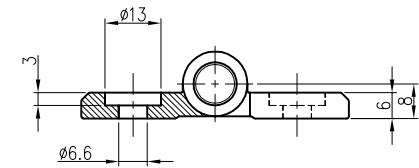
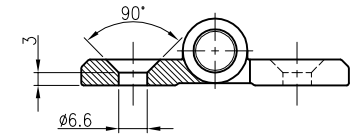
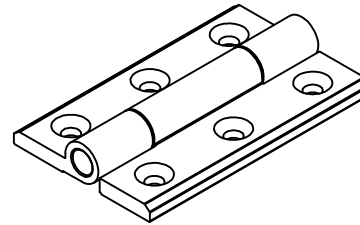


The use or communication of the contents there of are forbidden without express authority.(당사의 사전 허락없이 무단 전제 및 복사를 금함)

NO	REVISION RECORD	DATE	CHK.	APPR.



제품명	L	W	P1	P2	P3	C = Color	H=Hole
CHF621-C-H	65	62	38	36	-	S=Silver B=Black	C=Countersink B=Counterbore
CHF624-C-H	75	62	38	46	-		
CHF627-C-H	78.5	62	38	47.5	-		
CHF629-C-H	100	62	38	36	36		



TOLERANCE(mm)
(KS B 0412에 준함)

6 이하	±0.05
6 ~ 30	±0.1
30 ~ 120	±0.15
120 ~ 315	±0.2
300 ~ 1000	±0.3
1000 ~ 2000	±0.5

FINISH	MATERIAL	UNIT	mm	NO.	DESCRIPTION	DWG. NO	QTY	REMARK
도금 : -	AL6061	APP.	2018.10.10	S,H,KIM	DWG. NO.	-	-	V1.0
도장 : -	EXTD	DWG.	2018.10.10	S,H,OH	PART NAME	-	-	-
QTY	Hardware			1/1	ASS'Y NAME	압출형 자유경첩		
1 EA/SET	A3			MODEL NO.	CHF621~629			