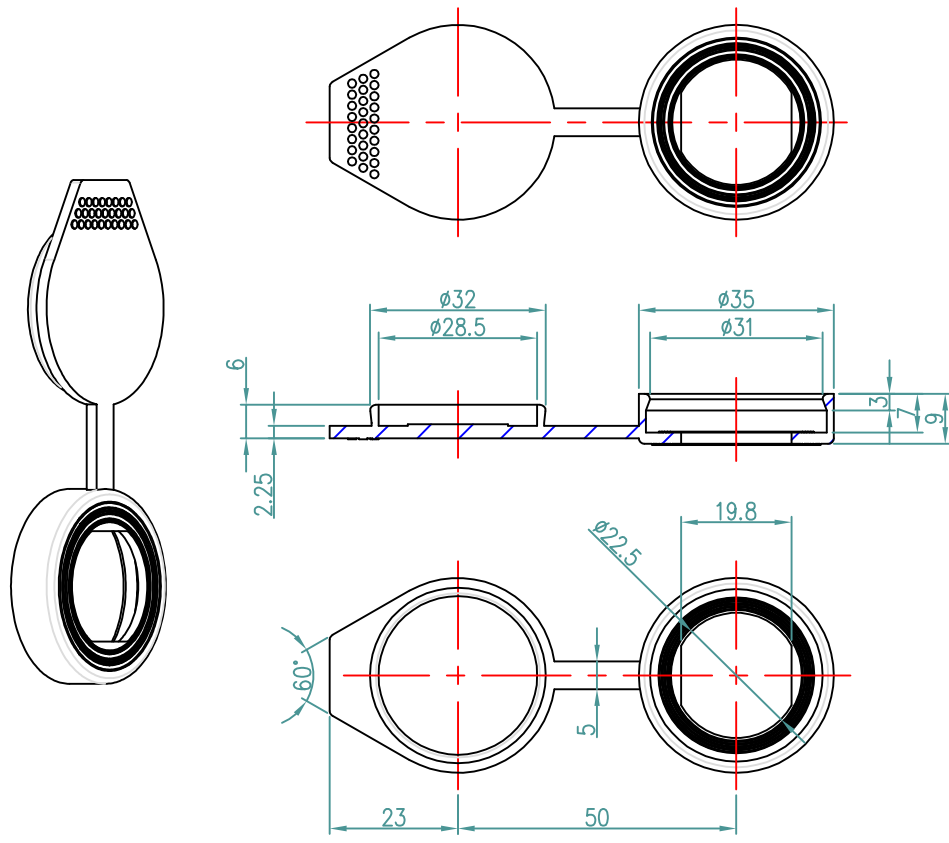
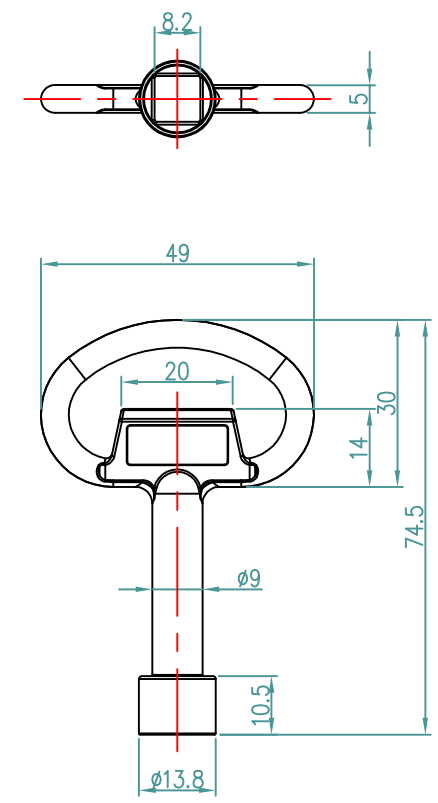
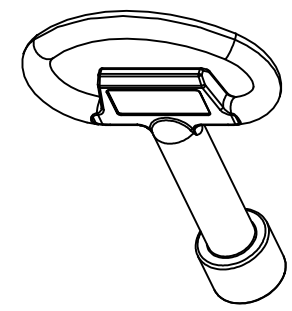


NO	REVISION RECORD	DATE	CHK.	APPR.



Waterproof Cover



Square 8mm Key

TOLERANCE(mm) (KS B 0412에 준함)	
6 이하	±0.05
6 ~ 30	±0.1
30 ~ 120	±0.15
120 ~ 315	±0.2
300 ~ 1000	±0.3
1000 ~ 2000	±0.5

Note
 1. 특징 :
 2. 용도 :

FINISH	MATERIAL	UNIT	mm	NO.	DESCRIPTION	DWG. NO	QTY	REMARK
Cover = Black Key = Nickel plating	Cover=Plastic Key=Zinc Alloy	APP. DWG.	2020.06.30		DWG. NO. PART NAME	-	-	V1.0
QTY				1/1	ASS'Y NAME	방수커버 / 사각키		
1 EA/SET				A3	MODEL NO.	Waterproof Cover Square 8mm Key		

