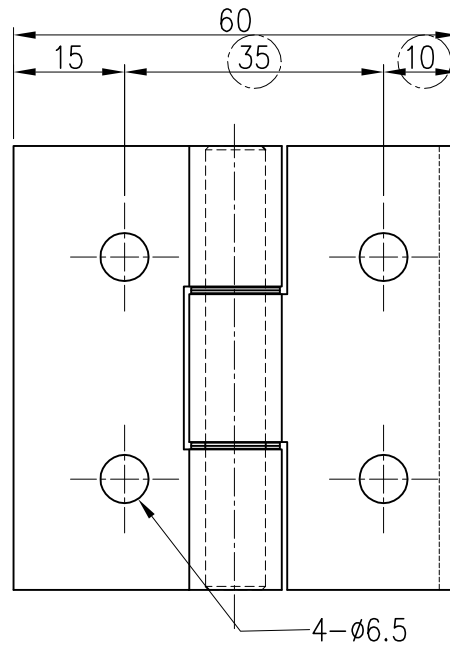
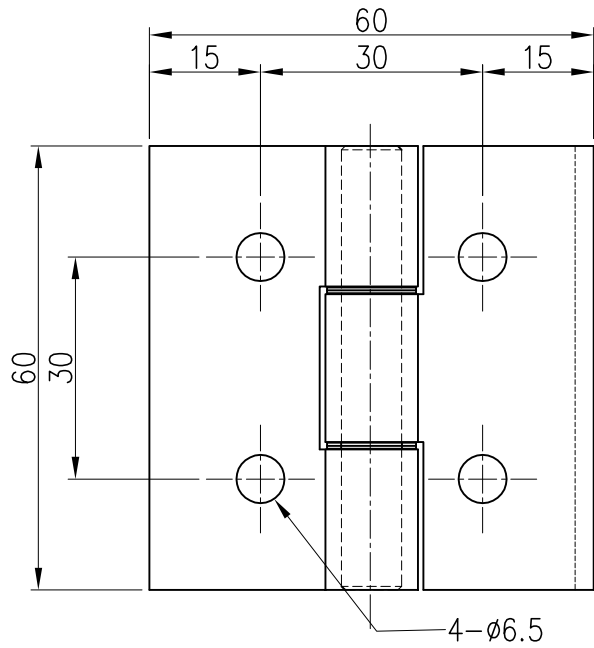
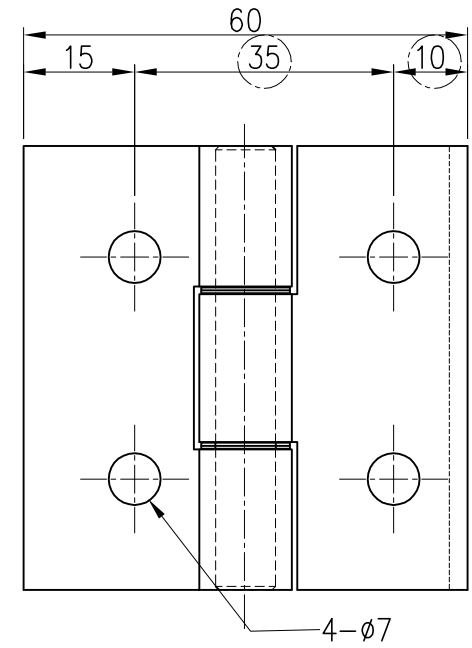


The use or communication of the contents there of are forbidden without express authority. (당사의 사전 허락없이 무단 전제 및 복사를 금함)

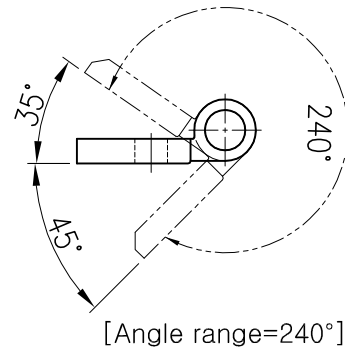
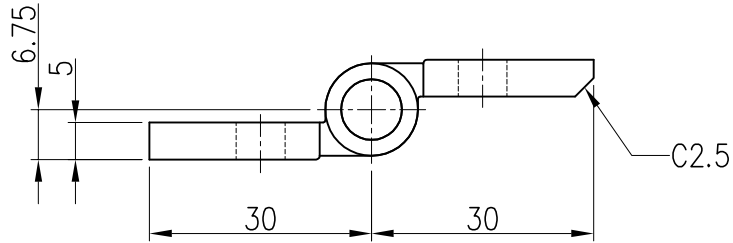
NO	REVISION RECORD	DATE	CHK.	APPR.



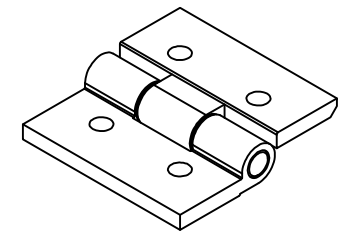
CHF-6060-특주품



CHF-6060-특주품



[Angle range=240°]



CHF-6060-SS = SILVER
CHF-6060-SB = BLACK

TOLERANCE(mm)
(KS B 0412에 준함)

6 이하	±0.05
6 ~ 30	±0.1
30 ~ 120	±0.15
120 ~ 315	±0.2
300 ~ 1000	±0.3
1000 ~ 2000	±0.5

FINISH	MATERIAL	UNIT	mm	NO.	DESCRIPTION	DWG. NO	QTY	REMARK
알루미늄 SILVER/BLACK	AL6061 EXTD	APP. DWG.	2018.11.20 2018.11.20	S.H,KIM S.H,OH	DWG. NO. PART NAME	- 6060T-xx-HINGE BASE 1/2 Pole		V1.0
QTY	Hardware			1/1	ASS'Y NAME	입출형 토크경첩		
1 EA/SET	A3			MODEL NO.	CHF-6060-S			