

YKCT-PH 80~100

고하중판

제품 특징 FEATURES

- 고하중에서도 안정적인 주행가능

적용 범위 APPLICATION

- 고하중용 장비, 굴린물장비
- 고하중용 대차, 각종 기계장비



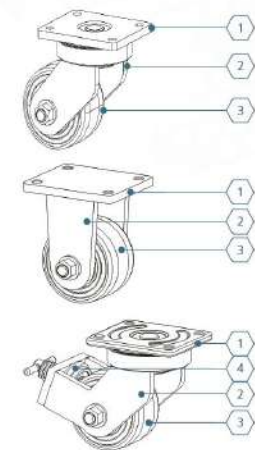
80SFM~100SFM



80SFU~100SFU

모델명명 ORDERING CODE

YKCT - PH80 RF/SF/SFB M/U



재질 MATERIAL & TREATMENT INFORMATION

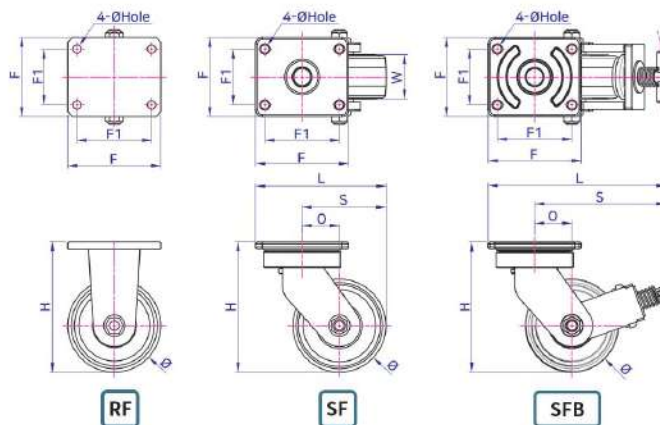
No.	개칭	표면처리
①	Caster seat	S45C Black Coated
②	Body	S45C Black Coated
③	Wheel	Artistic Poly Urethane +AL / MC Nylon
④	Brake	TFE



80SF-M

80SFB-M

80RF-U



RF

SF

SFB

규격 DIMENSION

MODEL	자중 (kg)	1EA	4EA	Ø	W	F	F1	Hole	H	L	S	O
	WxHxH1											
YKCT-PH80RFU	1.9	500	1500	Ø80	48	100x85	80x60	Ø9	120	100	-	-
YKCT-PH80SFU	2.6									130	80	40
YKCT-PH80SFBU	3.6	182	132							40		
YKCT-PH80RFM	1.8	800	2400							100	-	-
YKCT-PH80SFM	2.5									130	80	40
YKCT-PH80SFBM	3.5	182	132							40		
YKCT-PH100RFU	2.2	600	1800	Ø100	48	100x85	80x60	Ø9	140	100	-	-
YKCT-PH100SFU	2.5									140	90	40
YKCT-PH100SFBU	3.9	192	141							40		
YKCT-PH100RFM	2.1	900	2700							100	-	-
YKCT-PH100SFM	2.7									140	90	40
YKCT-PH100SFBM	3.7	192	141							40		