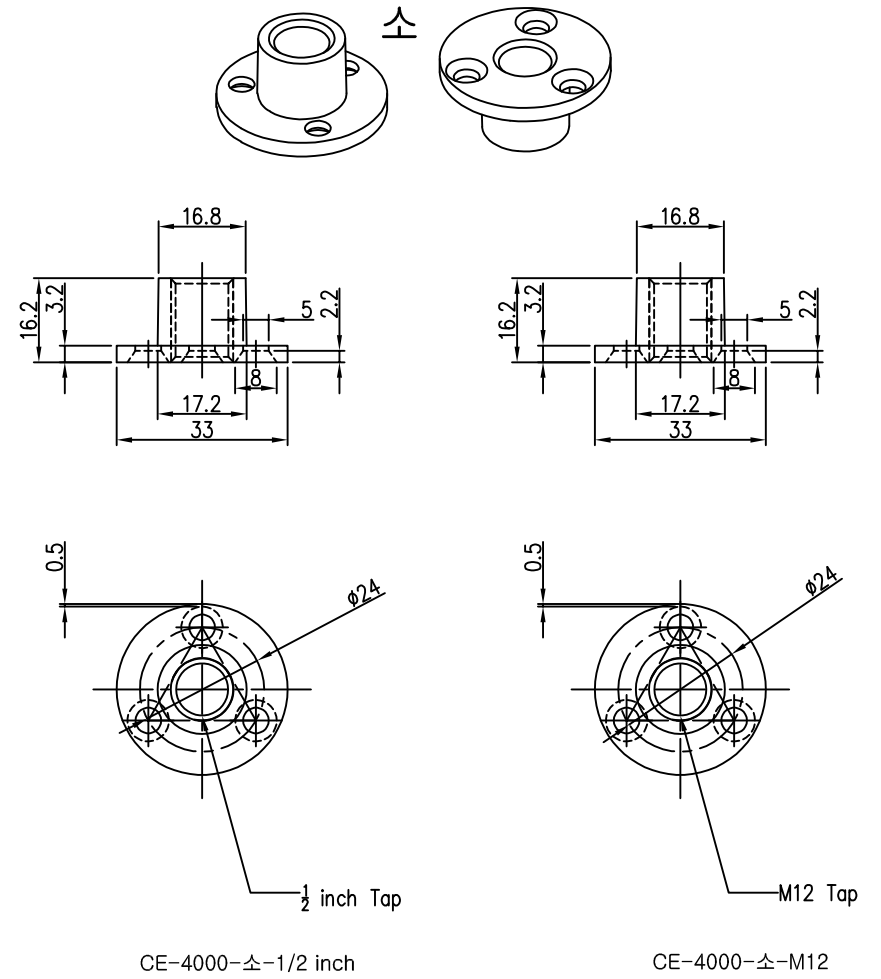
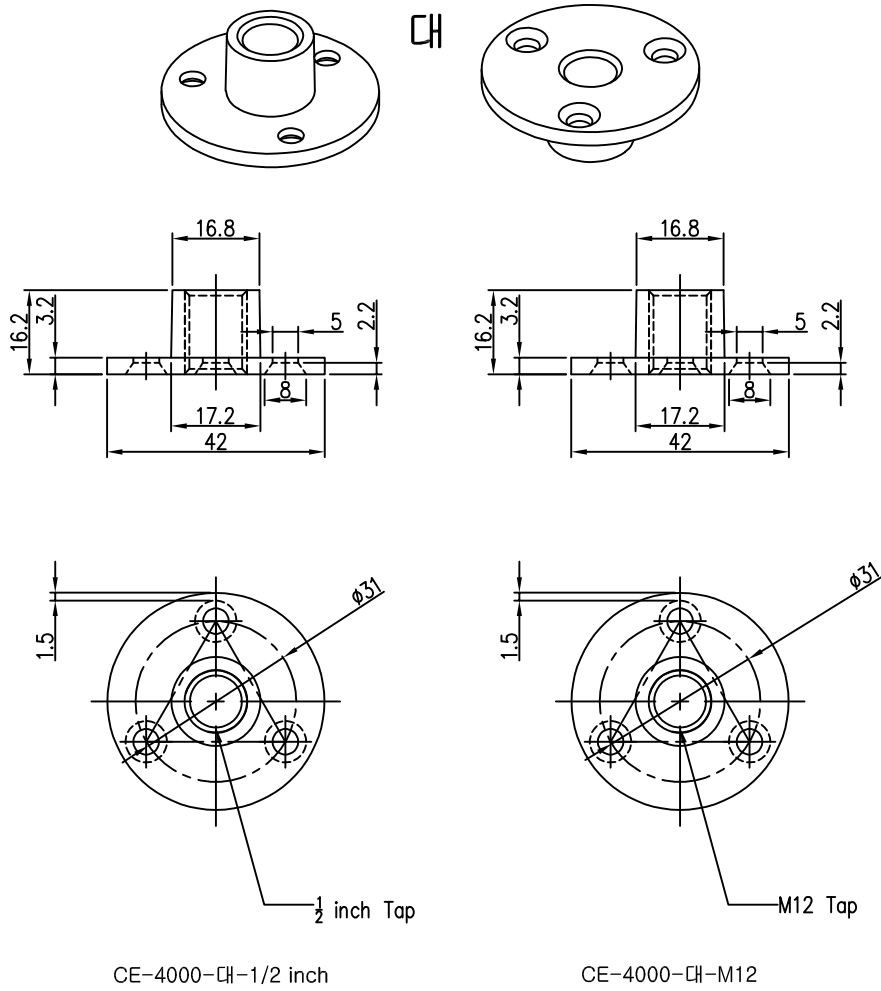


The use or communication of the contents there of are forbidden without express authority. (당사의 사전 허락없이 무단 전제 및 복사를 금함)

NO	REVISION RECORD	DATE	CHK.	APPR.



TOLERANCE(mm) (KS B 0412에 준함)	
6 이하	±0.05
6 ~ 30	±0.1
30 ~ 120	±0.15
120 ~ 315	±0.2
300 ~ 1000	±0.3
1000 ~ 2000	±0.5

Note
 1. 재질:
 2. 외관사양:

FINISH	MATERIAL	UNIT	mm	NO.	DESCRIPTION	DWG. NO	QTY	REMARK
-	Steel	APP.			DWG. NO.	-		V1.0
-	-	DWG.	2023. 12. 10	<i>[Signature]</i>	PART NAME	-		
QTY	Solution			1/1	ASS'Y NAME	Joint Nut		
1 EA/SET	Solution			A3	MODEL NO.	CE-4000		