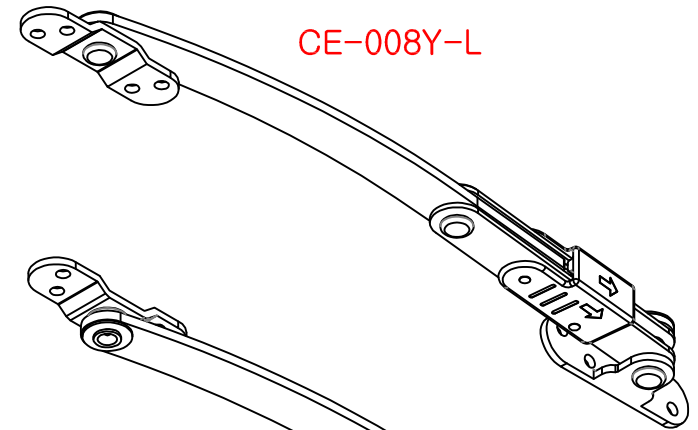


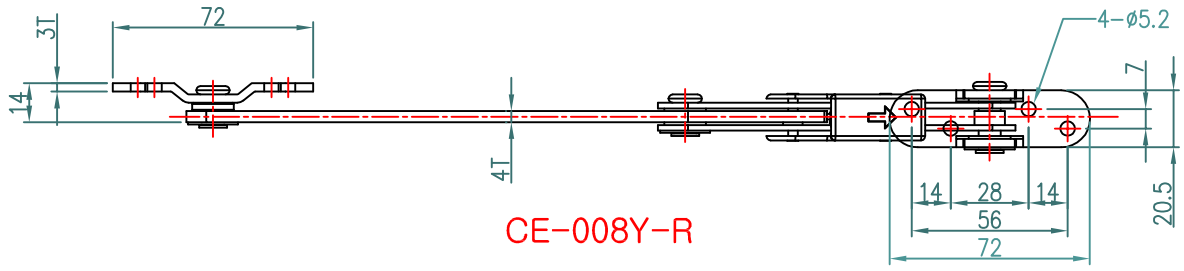
NO	REVISION RECORD	DATE	CHK.	APPR.



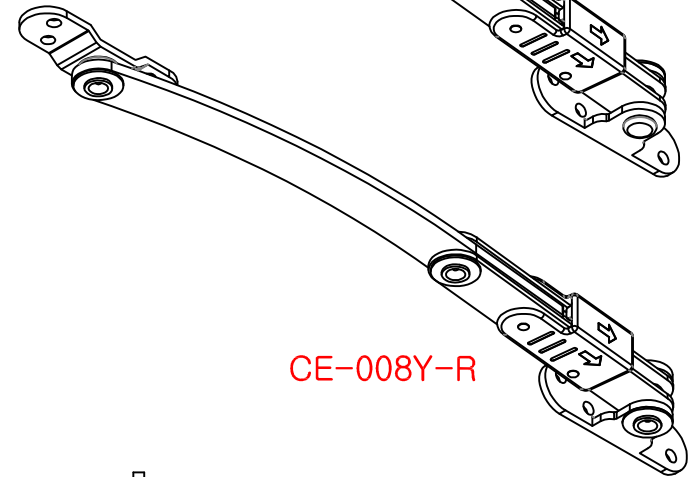
CE-008Y-L



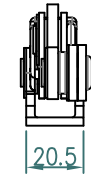
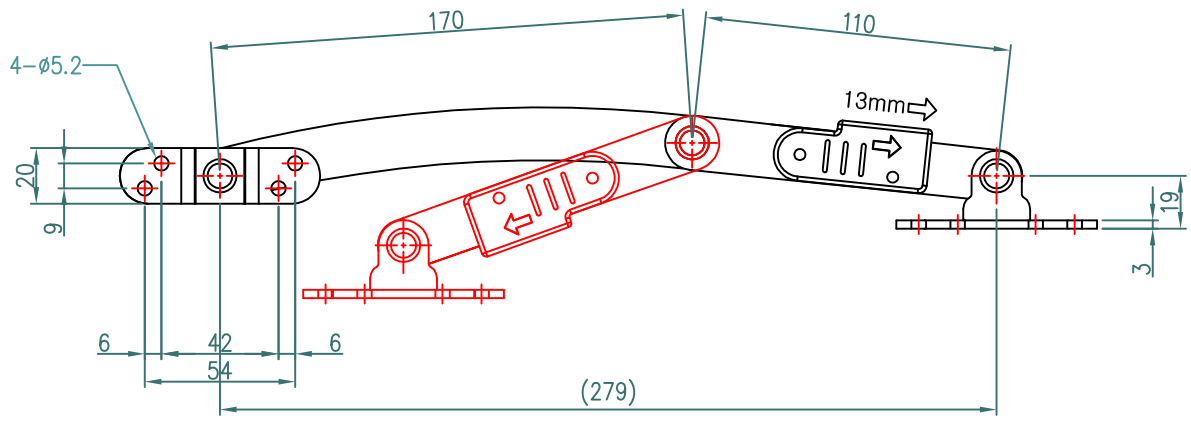
CE-008Y-L



CE-008Y-R



CE-008Y-R



TOLERANCE(mm)
(KS B 0412에 준함)

6 이하	±0.05
6 ~ 30	±0.1
30 ~ 120	±0.15
120 ~ 315	±0.2
300 ~ 1000	±0.3
1000 ~ 2000	±0.5

- Note
- 특징 :
 - 용도 :

FINISH	MATERIAL	UNIT	mm	NO.	DESCRIPTION	DWG. NO	QTY	REMARK
도금 : 크롬도금	SPCC	APP.			DWG. NO.	-		V1.0
도장 : -		DWG.	2020.06.05		PART NAME	-		
QTY				1/1	ASS'Y NAME	Locking Stay		
1 EA/SET				A3	MODEL NO.	CE-008Y-L/R		