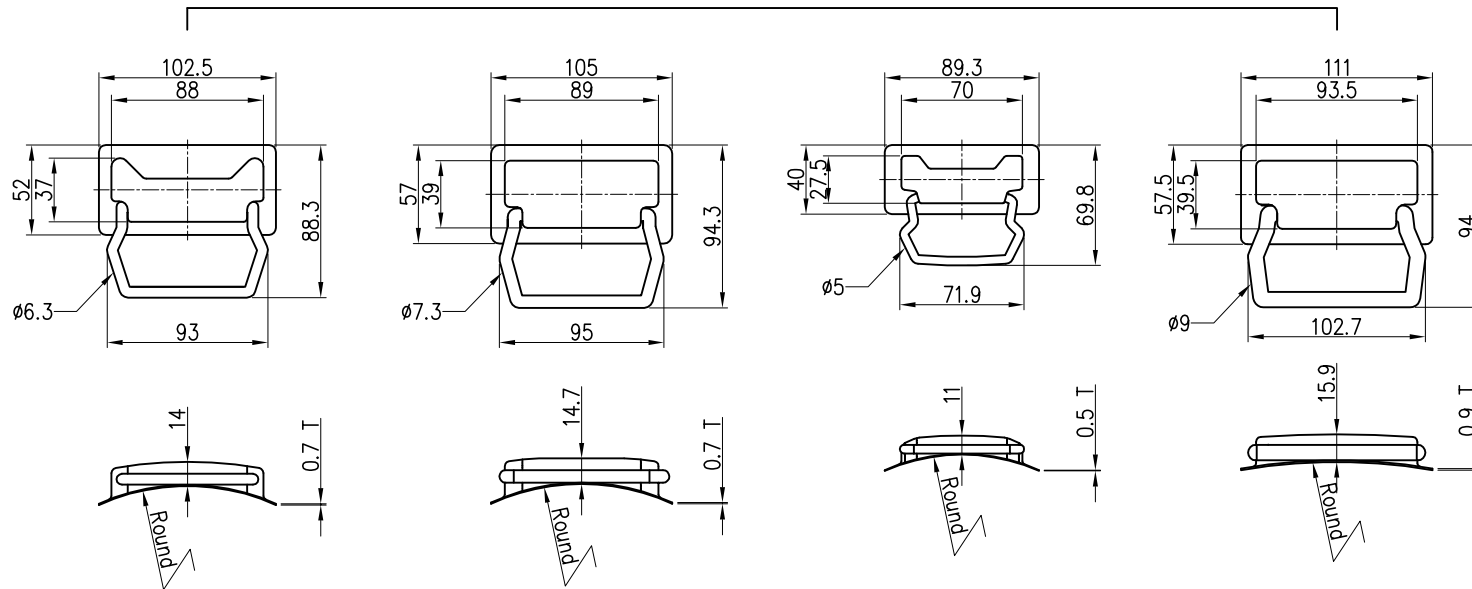


The use or communication of the contents there of are forbidden without express authority. (당사의 사전 허락없이 무단 전제 및 복사를 금함)

NO	REVISION RECORD	DATE	CHK.	APPR.

Welding Type

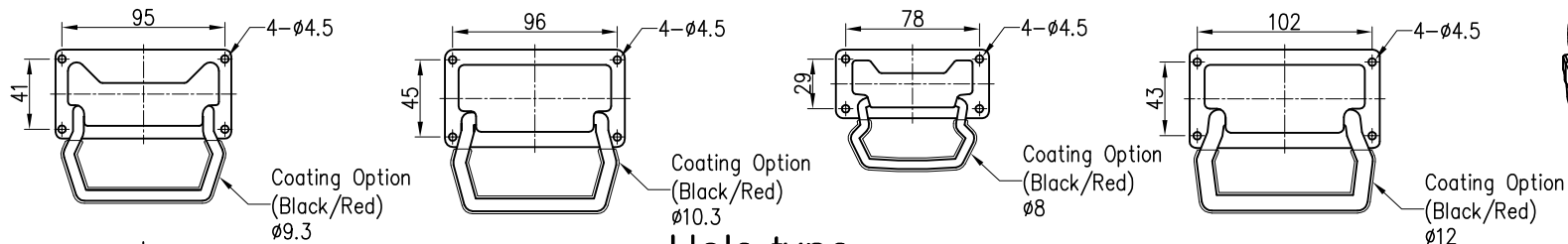


CAMS

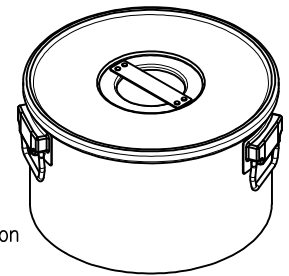
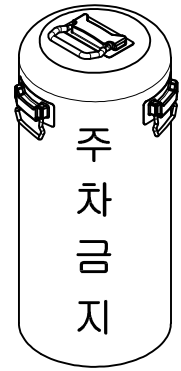
CAMP

CAMN

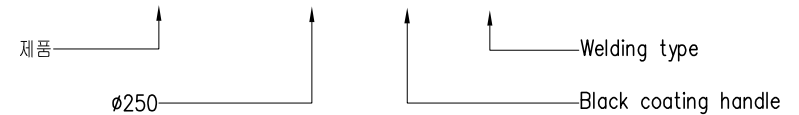
CAMD



Hole type



CAMS-02-B-W



TOLERANCE(mm) (KS B 0412에 준함)	
6 이하	±0.05
6 ~ 30	±0.1
30 ~ 120	±0.15
120 ~ 315	±0.2
300 ~ 1000	±0.3
1000 ~ 2000	±0.5

제품명	Round	Handle	Type
CAMS	01(Flat)	SUS (No coating) N	Welding Type W
	02(φ250)		
	03(φ350)		
	04(φ450)		
CAMP	01(φ250)	Black Coating B	Hole Type H
	02(φ350)		
	03(φ450)		
CAMN	01(φ220)	Red Coating R	Hole Type H
	02(Flat)		
CAMD	01(φ650)		

FINISH	MATERIAL	UNIT	mm	NO.	DESCRIPTION	DWG. NO	QTY	REMARK
Barrelling	SUS 304	APP.			DWG. NO.	-		V1.0
	t=0.5/0.7/0.9	DWG.	2021.03.01		PART NAME			
QTY				1/1	ASS'Y NAME		Trunk Handle	
1 EA/SET	Hardware			A3	MODEL NO.	CAMS/CAMP/CAMN/CAMD		