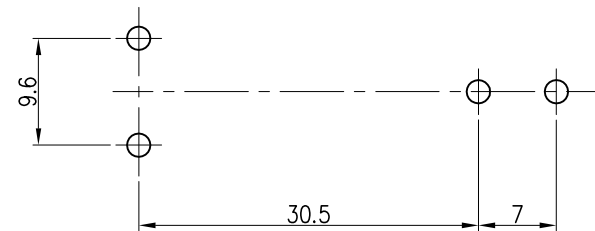
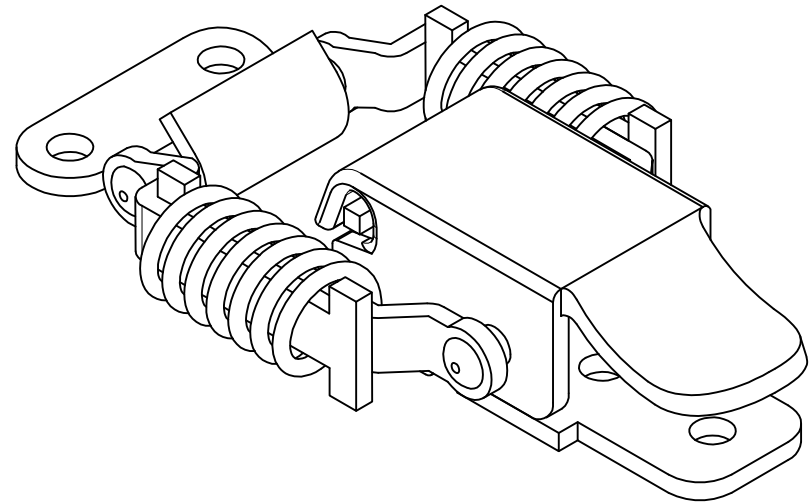
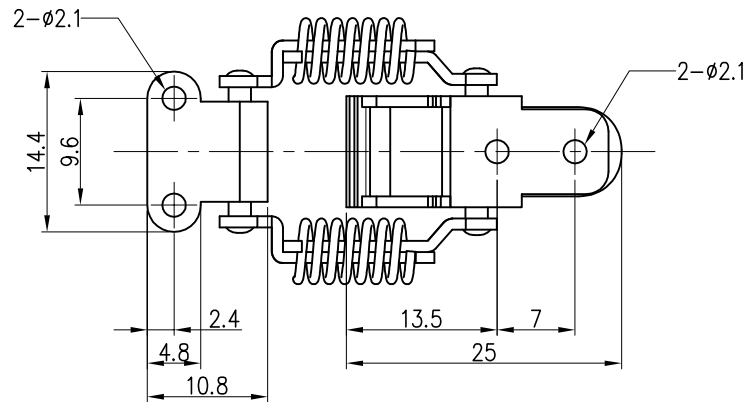
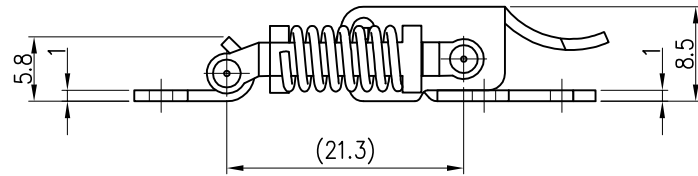
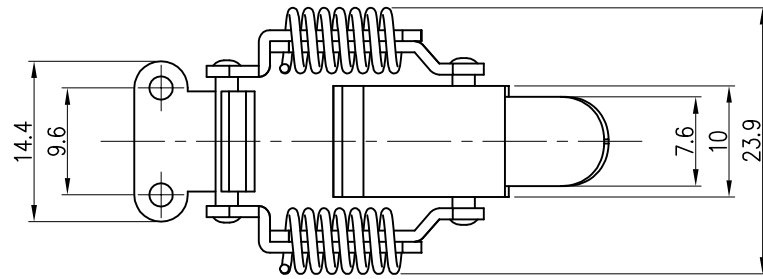


| NO | REVISION RECORD | DATE | CHK. | APPR. |
|----|-----------------|------|------|-------|
| | | | | |



Note

- 특징 :
- 용도 :

TOLERANCE(mm)
(KS B 0412에 준함)

| | |
|-------------|-------|
| 6 이하 | ±0.05 |
| 6 ~ 30 | ±0.1 |
| 30 ~ 120 | ±0.15 |
| 120 ~ 315 | ±0.2 |
| 300 ~ 1000 | ±0.3 |
| 1000 ~ 2000 | ±0.5 |

| FINISH | MATERIAL | UNIT | mm | NO. | DESCRIPTION | DWG. NO | QTY | REMARK |
|------------------|------------------|------|------------|-----|-------------|-----------|-----|--------|
| Barrel Polishing | SUS 304 t=1.0 | APP. | | | DWG. NO. | - | | V1.0 |
| | | DWG. | 2020.09.15 | | PART NAME | | - | |
| QTY | | | | 1/1 | ASS'Y NAME | | - | |
| 1 EA/SET | Hardware | | | A3 | MODEL NO. | CC-1054-0 | | |