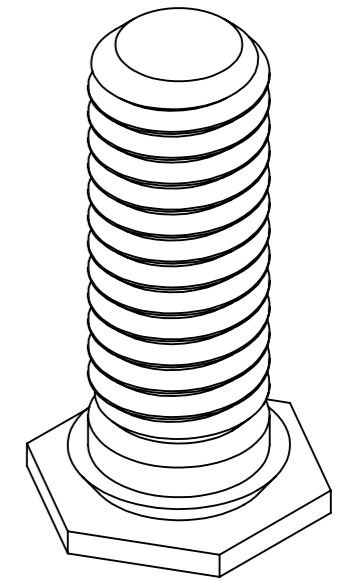
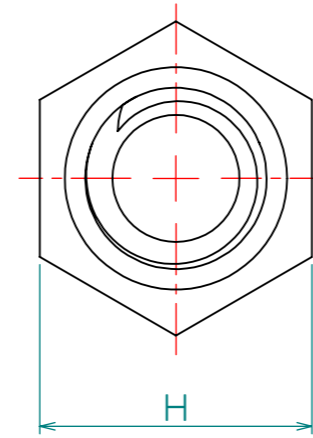
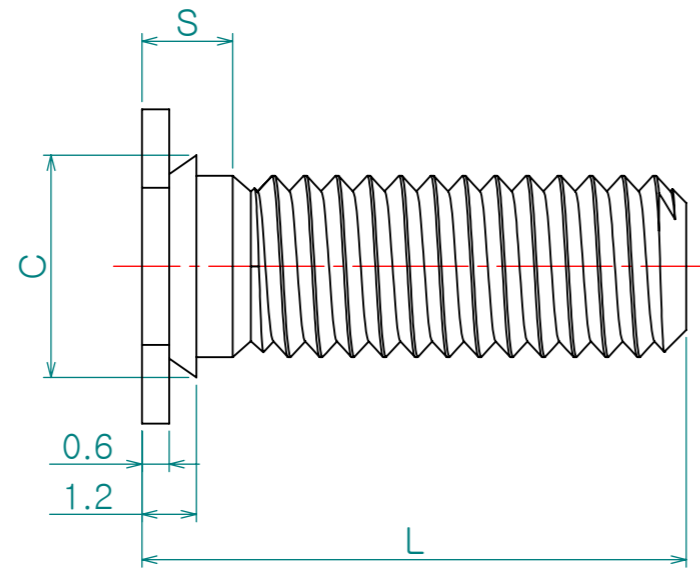


Dwg. No.

Re. No.	DESCRIPTION	DATE	DS.	CH.	AP.
△					
△					
△					



제품명			Thread Code	" L " ±0.5 Length Code in millimeters	Min Sheet Thickness	Hole Size in Sheet +0.08	C	H ±0.4	S Max.
Carbon Steel	Stainless Steel	Aluminum							
CJ.S.FH-M3-8	CJ.SU.FHS-M3-8	CJ.A.FHA-M3-8	M3	8	1	3	3.9	5	2
CJ.S.FH-M3-10	CJ.SU.FHS-M3-10	CJ.A.FHA-M3-10		10					
CJ.S.FH-M3-12	CJ.SU.FHS-M3-12	CJ.A.FHA-M3-12		12					
CJ.S.FH-M4-8	CJ.SU.FHS-M4-8	CJ.A.FHA-M4-8	M4	8	1	4	4.9	6	2
CJ.S.FH-M4-10	CJ.SU.FHS-M4-10	CJ.A.FHA-M4-10		10					
CJ.S.FH-M4-12	CJ.SU.FHS-M4-12	CJ.A.FHA-M4-12		12					
CJ.S.FH-M5-10	CJ.SU.FHS-M5-10	CJ.A.FHA-M5-10	M5	10	1	5	5.9	7	2
CJ.S.FH-M5-12	CJ.SU.FHS-M5-12	CJ.A.FHA-M5-12		12					
CJ.S.FH-M5-14	CJ.SU.FHS-M5-14	CJ.A.FHA-M5-14		14					
CJ.S.FH-M6-12	CJ.SU.FHS-M6-12	CJ.A.FHA-M6-12	M6	12	1.6	6	6.9	8	2
CJ.S.FH-M6-14	CJ.SU.FHS-M6-14	CJ.A.FHA-M6-14		14					
CJ.S.FH-M6-16	CJ.SU.FHS-M6-16	CJ.A.FHA-M6-16		16					

Note

1. 특징 :

2. 용도 :

Dimension (mm)	Precision	Material **	Dwg. No.	QTY *EA
0.5~3	±0.05	Finish **	Part Name. **	Weight -
3~6				
6~30	±0.1	Revision -	Sheet Size A3	Ass'y Name **
30~120	±0.15			
120~315	±0.2	Date 2013-10-17	Designed by <i>Shin S H</i>	Model No. Stud bolt(Haxa)
315~1000	±0.3	Checked by	Approved by	
1000~2000	±0.5	KS B 0412에 준함		Scale 6:1