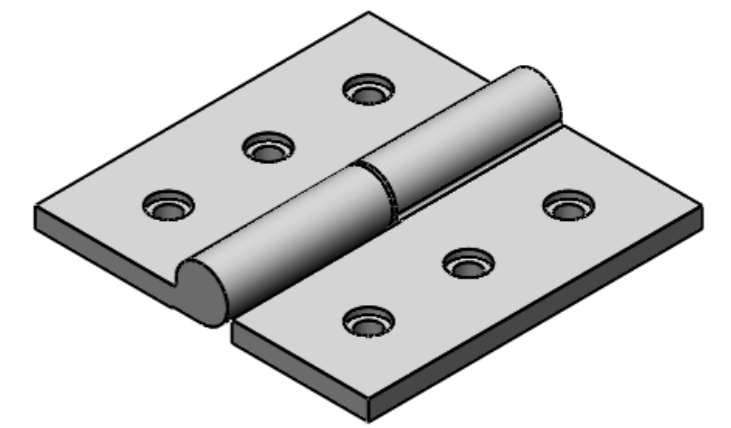
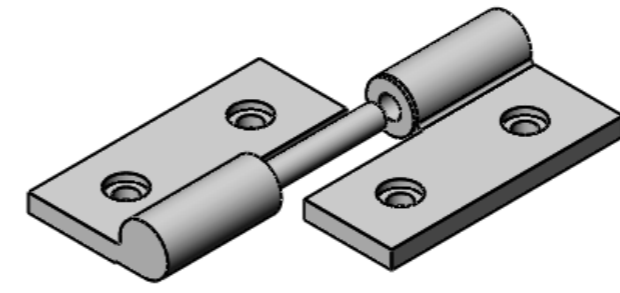
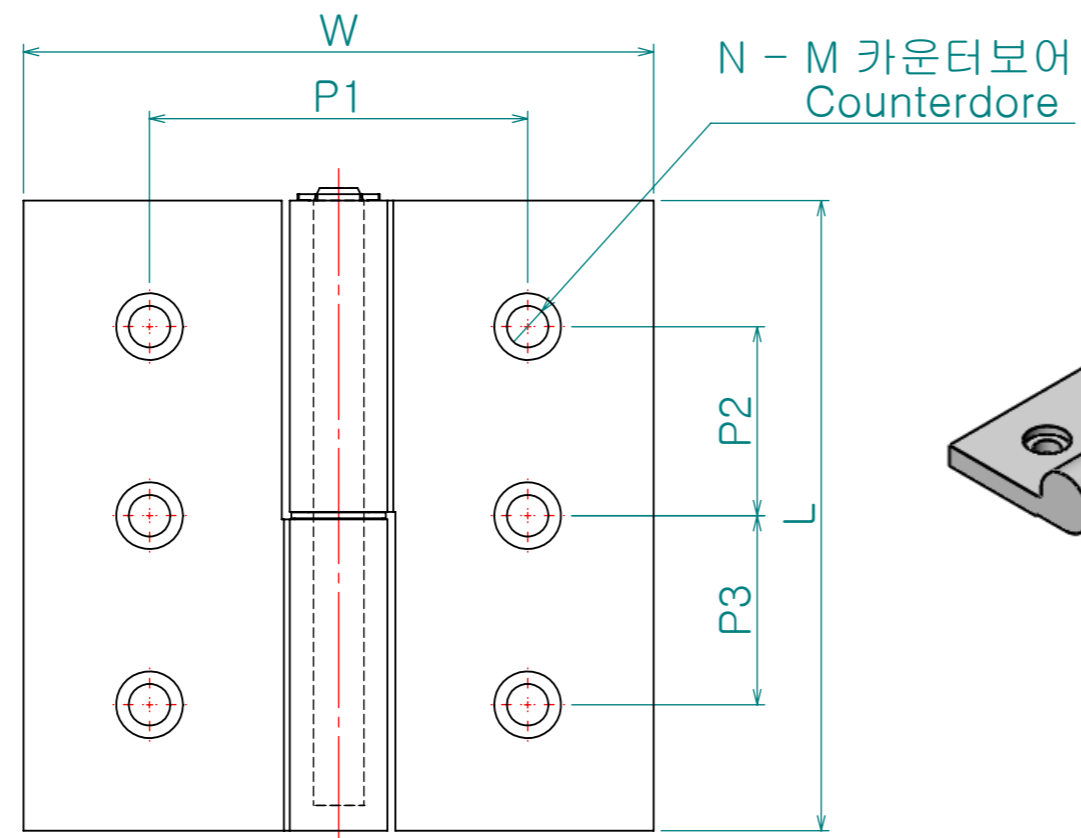
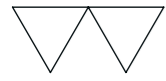
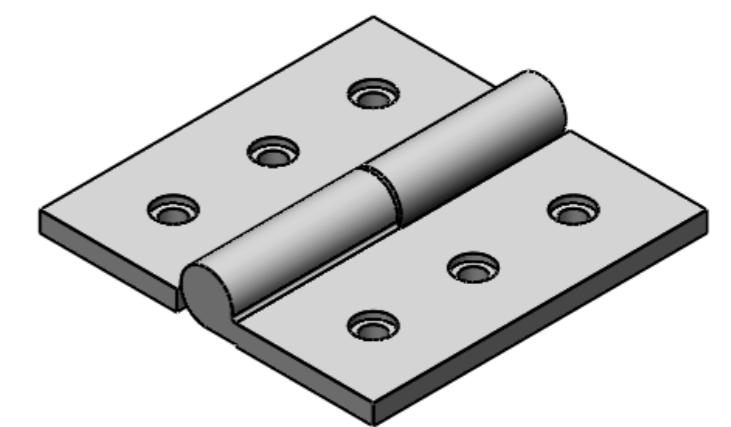
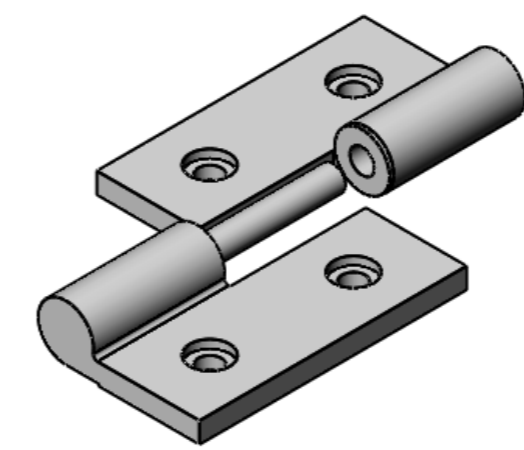


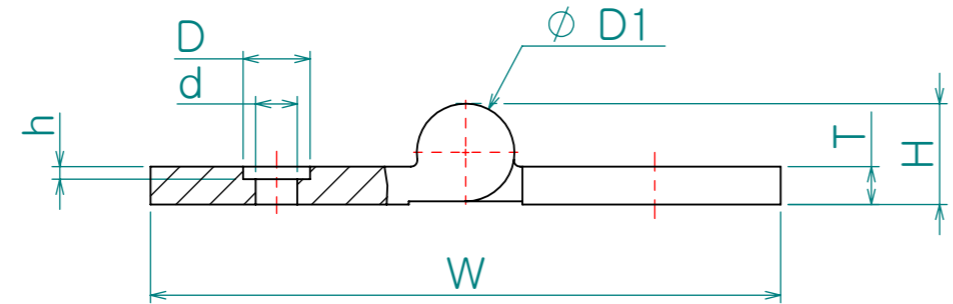
Re. No.	DESCRIPTION	DATE	DS.	CH.	AP.
△					
△					
△					



※ L TYPE



※ R TYPE



※ L TYPE

제품명	L	W	P1	P2	P3	T	h	H	D	d	Ø D1	N-M
CM- 026-01L, R	50	50	35	20	-	5	2	14	8.6	4.6	13.5	4-4
CM- 026-02L, R	65	65	40	35	-	5		14	9.6	5.6	13.5	4-5
CM- 026-03L, R	75	75	50	40	-	6		16	10.6	6.6	15.5	4-6
CM- 026-04L, R	100	100	60	30	30	6		16				

Note

- 특징 :
- 용도 :

Dimension (mm)	Precision	Material	Dwg. No.	QTY
0.5~3	±0.05	STS316	Part Name.	**
3~6		광택연마		**
6~30	±0.1	Revision	Sheet Size	-
30~120	±0.15	-	A3	Scale
120~315	±0.2	Date	Designed by	1:1.2
315~1000	±0.3	2013-11-18	Shin S H	Model No.
1000~2000	±0.5	Checked by	Approved by	
KS B 0412에 준함		Hardware		