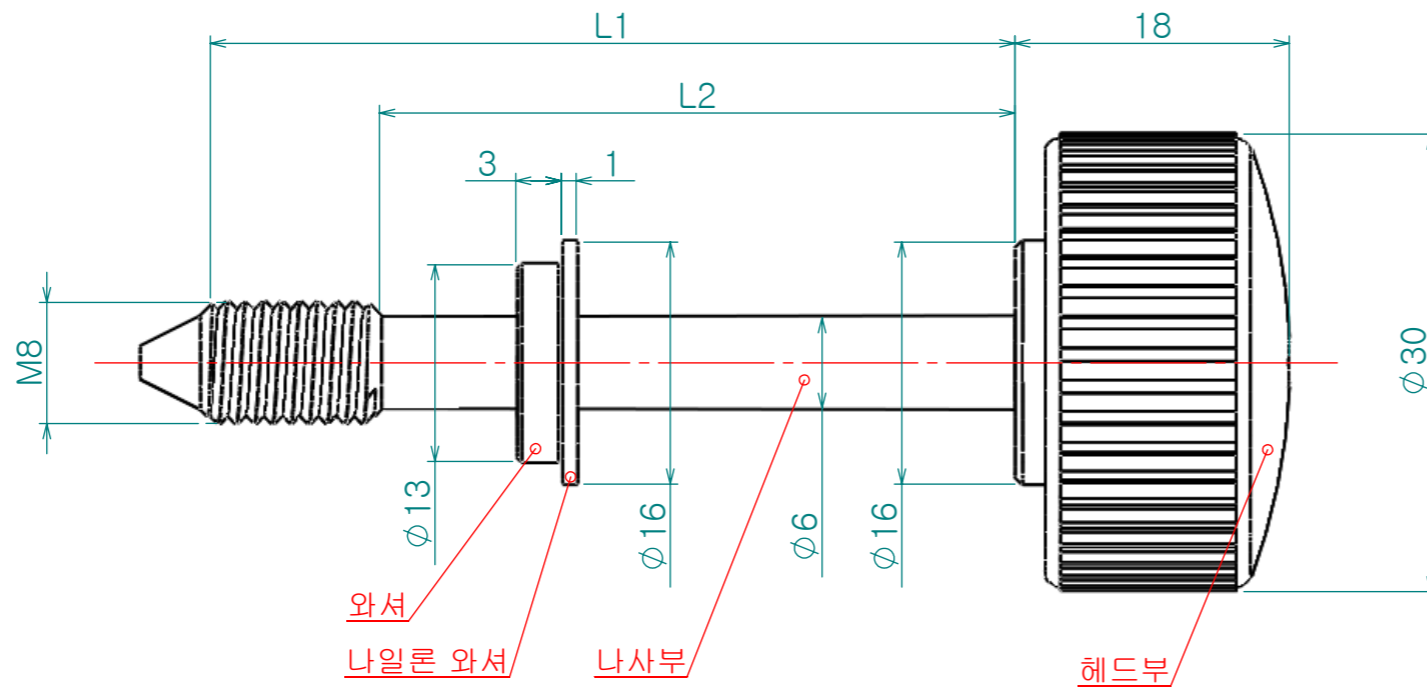
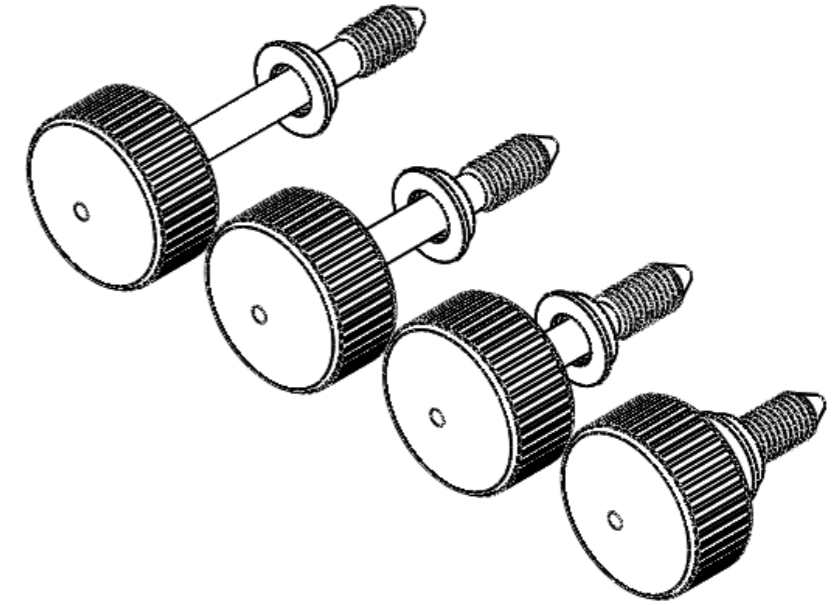
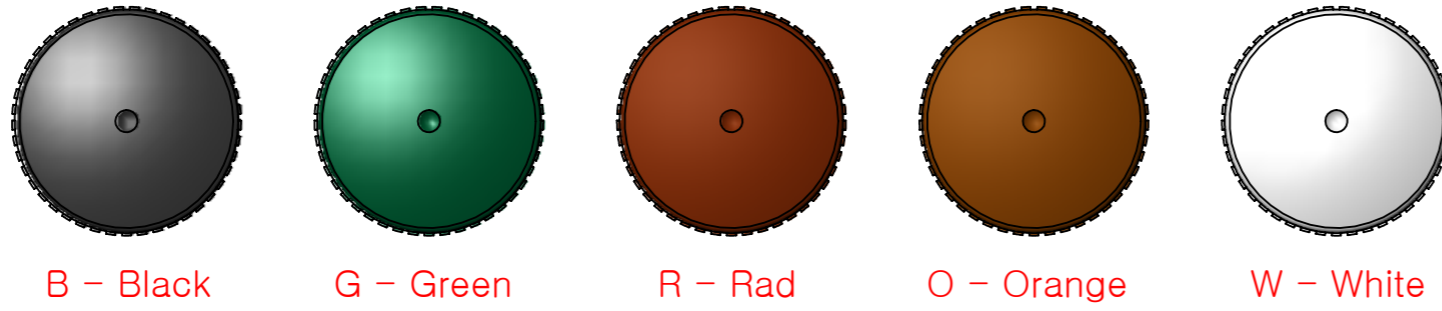


Dwg. No.

Re. No.	DESCRIPTION	DATE	DS.	CH.	AP.
△					
△					
△					



제품명	L1	L2
CE-3017-1B, G, R, O, W	23	10
CE-3017-2B, G, R, O, W	33	20
CE-3017-3B, G, R, O, W	43	30
CE-3017-4B, G, R, O, W	53	42

※ 재질 : 헤드부-PA-6
나사부-연강 선재

※ 표면처리 : 나사부 - 아연도금 (MFZn-C)

Dimension (mm)	Precision	Material **	Dwg. No.	QTY **
0.5~3	±0.05	Finish **	Part Name. CE-3017	Weight -
3~6				
6~30	±0.1	Revision	Sheet Size A3	Ass'y Name **
30~120	±0.15			
120~315	±0.2	-	Date 2017-08-23	Model No. **
315~1000	±0.3			
1000~2000	±0.5		Designed by <i>Shin S H</i>	Scale 2:1
KS B 0412에 준함		Checked by	Approved by	
			Hardware	