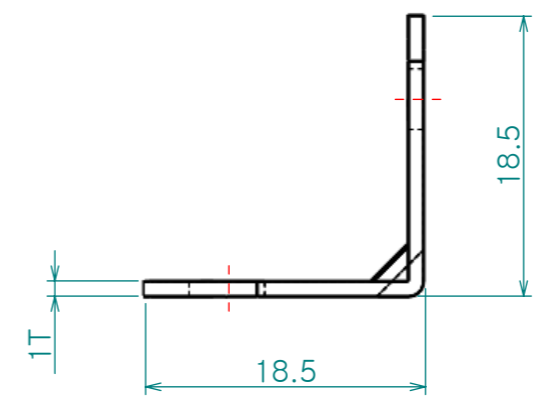
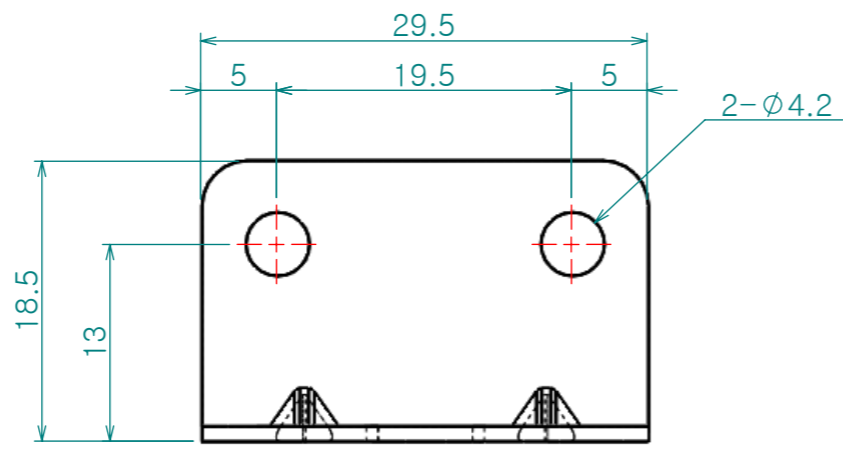
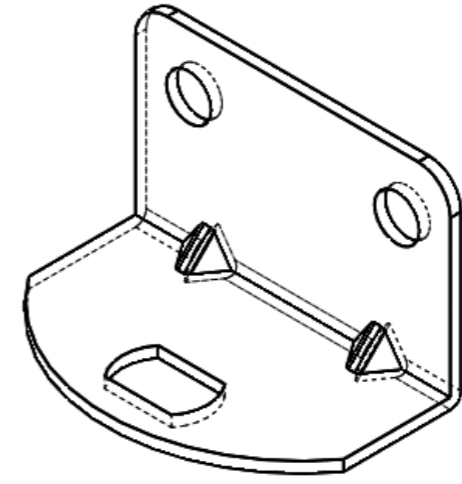
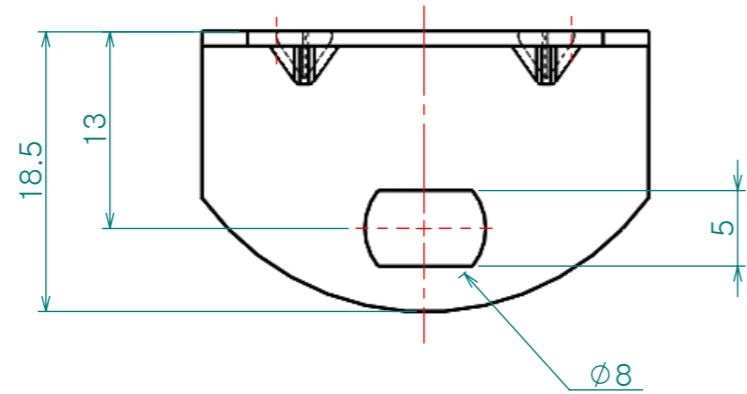


Re. No.	DESCRIPTION	DATE	DS.	CH.	AP.
△					
△					
△					



Dimension (mm)	Precision	Material	Dwg. No.	QTY
0.5~3	±0.05	STEEL	**	*EA
3~6		Finish	Part Name.	Weight
6~30	±0.1	아연도금 (천연색)	**	-
30~120	±0.15	Revision	Sheet Size	Scale
120~315	±0.2	-	A3	2:1
315~1000	±0.3	Date	Designed by	Model No. 격쇠 30x15
1000~2000	±0.5	2018-05-21	Shin S H	
KS B 0412에 준함		Checked by	Approved by	