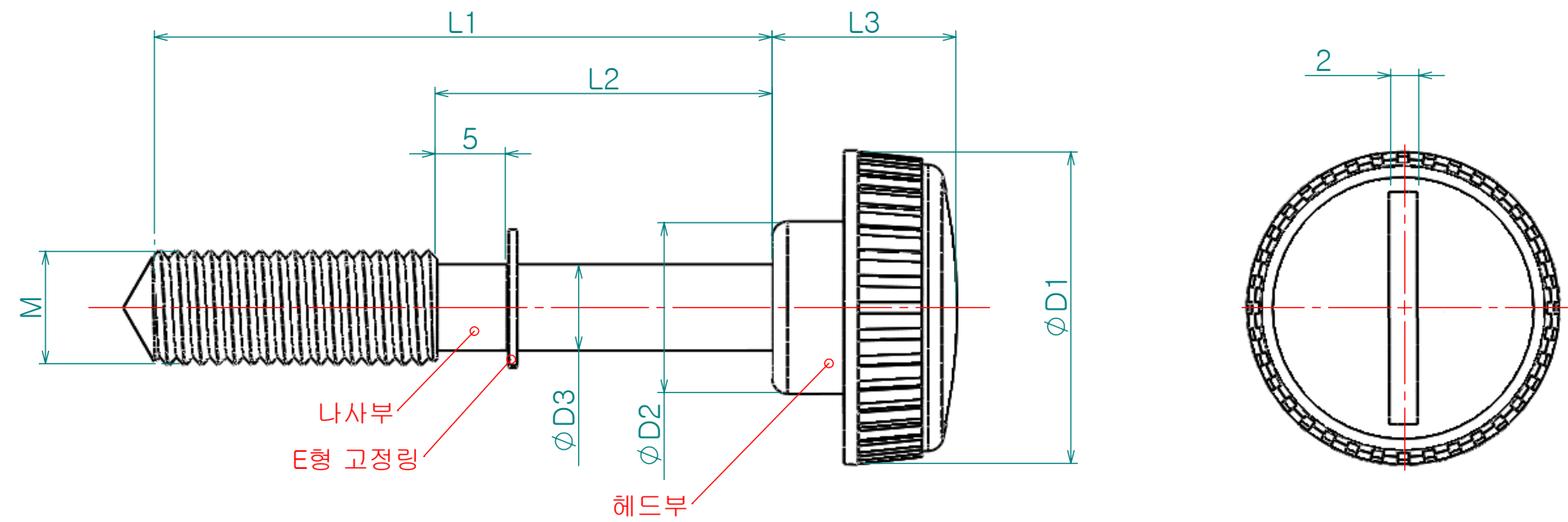
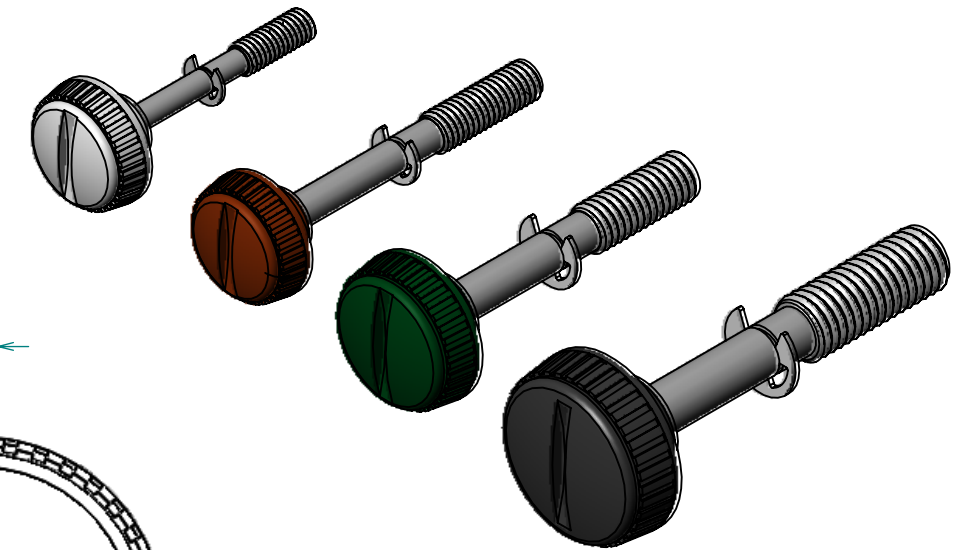
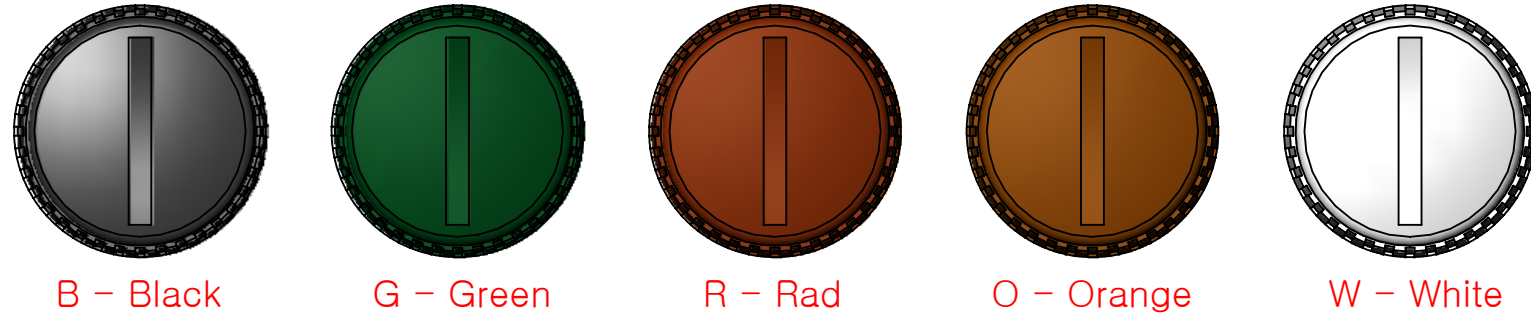


Re. No.	DESCRIPTION	DATE	DS.	CH.	AP.
△					
△					
△					



제품명	L1	L2	L3	D1	D2	D3	M
CE-3018-120B, G, R, O, W	20	12	10	15	8	3	M4
CE-3018-127B, G, R, O, W	27	17					
CE-3018-222B, G, R, O, W	22	14	10	15	8	4	M5
CE-3018-227B, G, R, O, W	27	17					
CE-3018-237B, G, R, O, W	37	22					
CE-3018-321B, G, R, O, W	21	13	11	18	10	4.8	M6
CE-3018-326B, G, R, O, W	26	16					
CE-3018-336B, G, R, O, W	36	21					
CE-3018-434B, G, R, O, W	34	19					
CE-3018-444B, G, R, O, W	44	24	13	22	12	6	M8

※ 재 질 : 헤드부 - ABS 수지
 나사부 - 쾌삭 황동 (C3602BD)
 ※ 표면처리 : 나사부 - 니켈도금(MBNI)

Dimension (mm)	Precision	Material **	Dwg. No.	QTY **
0.5~3	±0.05	Finish **	Part Name. **	Weight -
3~6				
6~30	±0.1	Revision -	Sheet Size A3	Ass'y Name **
30~120	±0.15			
120~315	±0.2	Date 2017-10-16	Designed by <i>Shin S H</i>	Scale 2.2:1
315~1000	±0.3	2017-10-16		
1000~2000	±0.5	Checked by	Approved by	Model No. CE-3018
KS B 0412에 준함				

