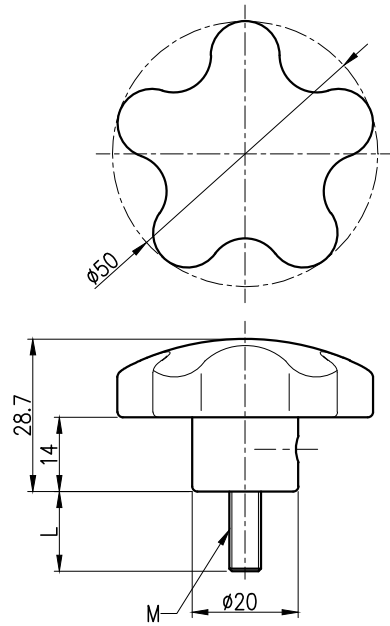
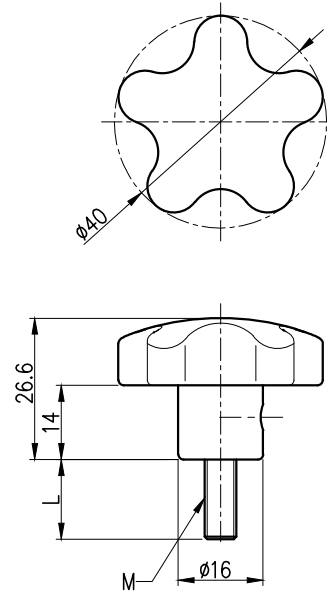


The use or communication of the contents there of are forbidden without express authority. (당사의 사전 허락없이 무단 전재 및 복사를 금함)

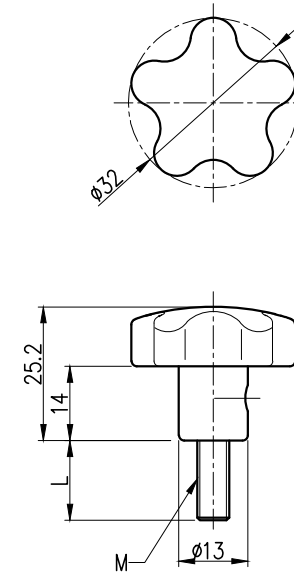
NO	REVISION RECORD	DATE	CHK.	APPR.



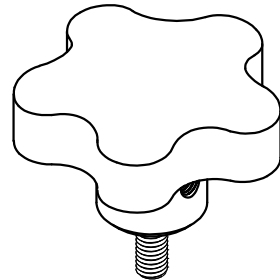
CA-1056L / BOLT TYPE



CA-1056M / BOLT TYPE



CA-1056S / BOLT TYPE



TYPE	규격	제품명	M	L (Tap Length / ±1mm)
BOLT	1056L (φ50)	CA-1056L-1	M6	15, 20, 25
		CA-1056L-2	M8	15, 20, 30, 40, 50
		CA-1056L-3	M10	15, 25, 30, 40, 50, 60
		CA-1056L-4	M12	15, 20, 30, 40
	1056M (φ40)	CA-1056M-1	M6	15, 20, 25
		CA-1056M-2	M8	15, 20, 30, 40, 50
		CA-1056M-3	M10	15, 25, 30, 40, 50, 60
	1056S (φ32)	CA-1056S-1	M6	15, 20, 25
		CA-1056S-2	M8	15, 20, 30, 40, 50

TOLERANCE(mm) (KS B 0412에 준함)	
6 이하	±0.05
6 ~ 30	±0.1
30 ~ 120	±0.15
120 ~ 315	±0.2
300 ~ 1000	±0.3
1000 ~ 2000	±0.5

Note

1. 특징 :
2. 용도 :

FINISH	MATERIAL	UNIT	mm	NO.	DESCRIPTION	DWG. NO	QTY	REMARK
도금 : 광택연마 도장 : -	STS304 CASTING	APP. DWG.	2018.10.30	S,H,KIM S,H,OH	DWG. NO. PART NAME	-	-	V1.0
QTY	Hardware			1/1	ASS'Y NAME	스텐 오각노브(BOLT Type)		
1 EA/SET				A3	MODEL NO.	CA-1056/BOLT		