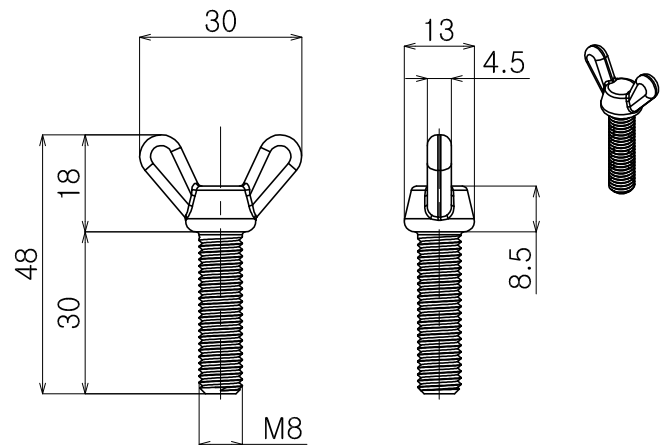


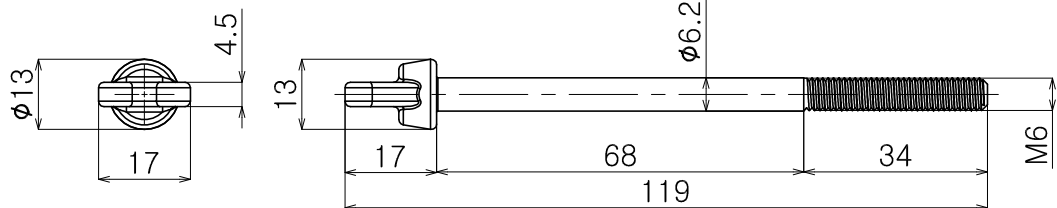
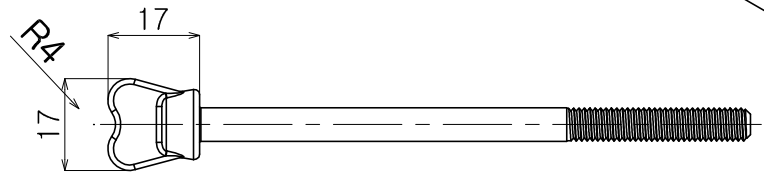
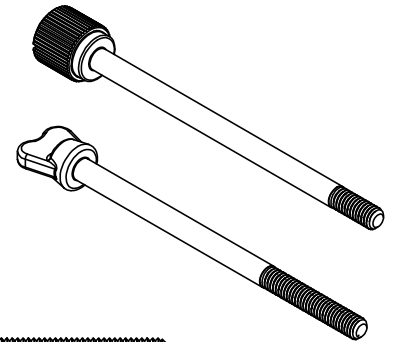
Dwg. No.



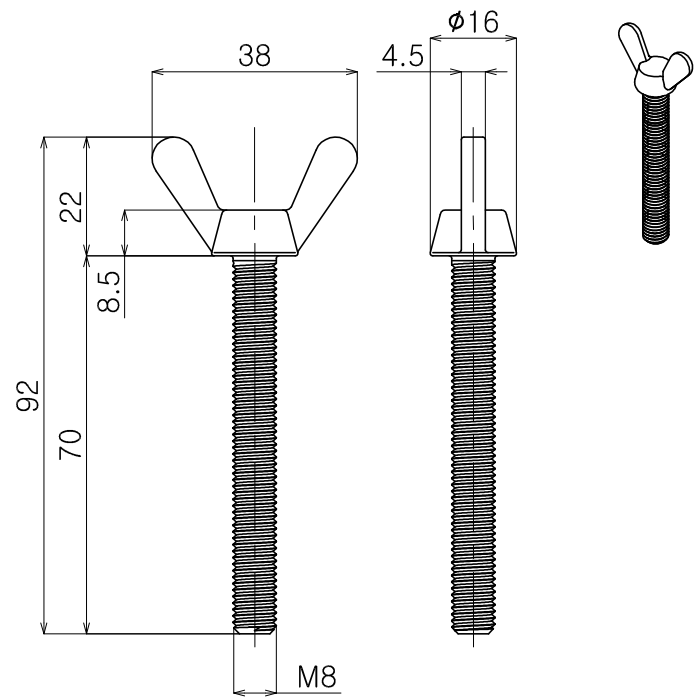
Re. No.	DESCRIPTION	DATE	DS.	CH.	AP.
△					
△					
△					



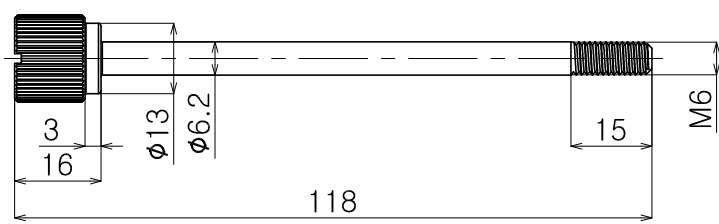
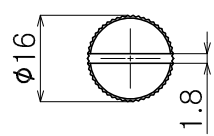
CE-WBA-M8



CE-WBA-M6



CE-WBA-M8-70



CE-NBA-M6

Dimension (mm)	Precision	Material	Dwg. No.	QTY
0.5~3		STS304		**
3~6	±0.05	Finish	Part Name.	Weight
6~30	±0.1	바렐연마	**	-
30~120	±0.15	Revision	Ass'y Name	Scale
120~315	±0.2	-	**	1:1
315~1000	±0.3	Date	Designed by	Model No.
1000~2000	±0.5	2012-08-28	Shin S H	CE-WING BOLT
		Checked by	Approved by	
KS B 0412에 준함				Hardware