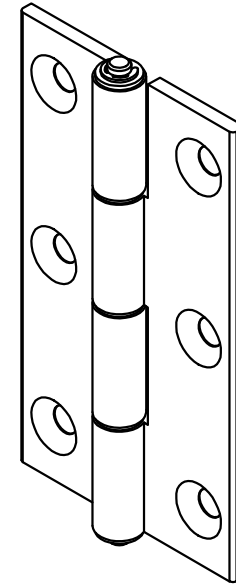
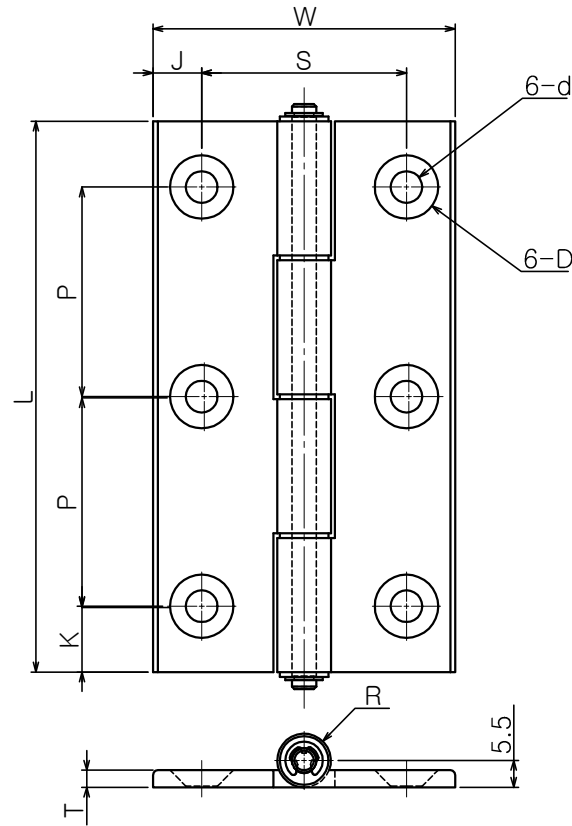


Dwg. No.

Re. No.	DESCRIPTION	DATE	DS.	CH.	AP.
△					
△					
△					



제품명	L	W	K	P	J	S	d	D	T	E	R
CH-HHPSNL1, B	66	36	8	25	7.5	21	5.5	11	3.5	5	5
CH-HHPSNL2, B	78	48	9	30	8	32	6.5	13		4.5	5.5
CH-HHPSNL3, B	113	62	13.5	43	10	42					
CH-HHPSNL4, B		80			16.5	47					

※ 표면처리
 CH-HHPSNL1 - 백색 알루미늄
 CH-HHPSNL1 B - 흑색 알루미늄

Dimension (mm)	Precision	Material	Dwg. No.	QTY
0.5~3 3~6	±0.05	A6063S		**
6~30	±0.1	Finish	Part Name.	Weight
30~120 120~315	±0.15 ±0.2	알루미늄처리	**	-
		Revision	Sheet Size	Scale
		-	A3	1:1
		Date	Designed by	Model No.
315~1000 1000~2000	±0.3 ±0.5	2017-08-02	Shin S H	CH-HHPSNL
		Checked by	Approved by	
		KS B 0412에 준함		

