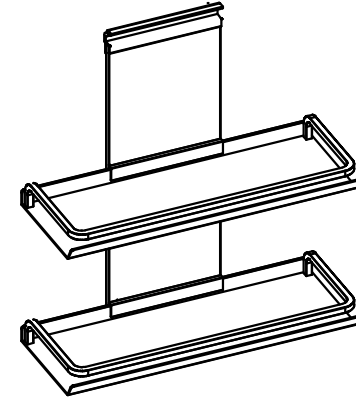
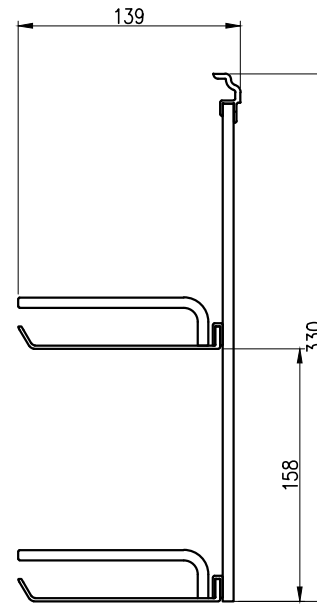
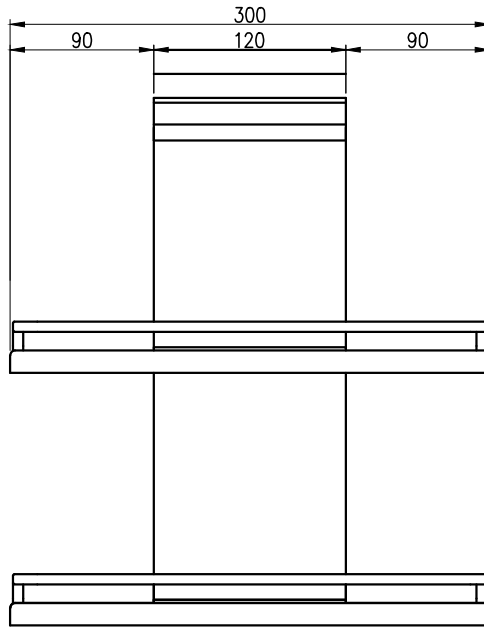


The use or communication of the contents there of are forbidden without express authority. (당사의 사전 허락없이 무단 전재 및 복사를 금함)

NO	REVISION RECORD	DATE	CHK.	APPR.



TOLERANCE(mm) (KS B 0412에 준함)	
6 이하	±0.05
6 ~ 30	±0.1
30 ~ 120	±0.15
120 ~ 315	±0.2
300 ~ 1000	±0.3
1000 ~ 2000	±0.5

FINISH	MATERIAL	UNIT	mm	NO.	DESCRIPTION	DWG. NO	QTY	REMARK
도금 : 흑니켈 피막 도장 :	AL. EXTD / ABS -	APP. DWG.	2018.11.20 2018.11.20	S.H.KIM S.H.OH	DWG. NO. PART NAME	-	-	V1.0 2단 선반
QTY				1/1	ASS'Y NAME	ACC A Type		
1 EA/SET		<b>Hardware</b>		A3	MODEL NO.	CF-ACCB-002		