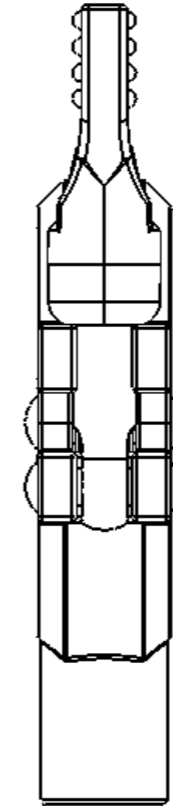
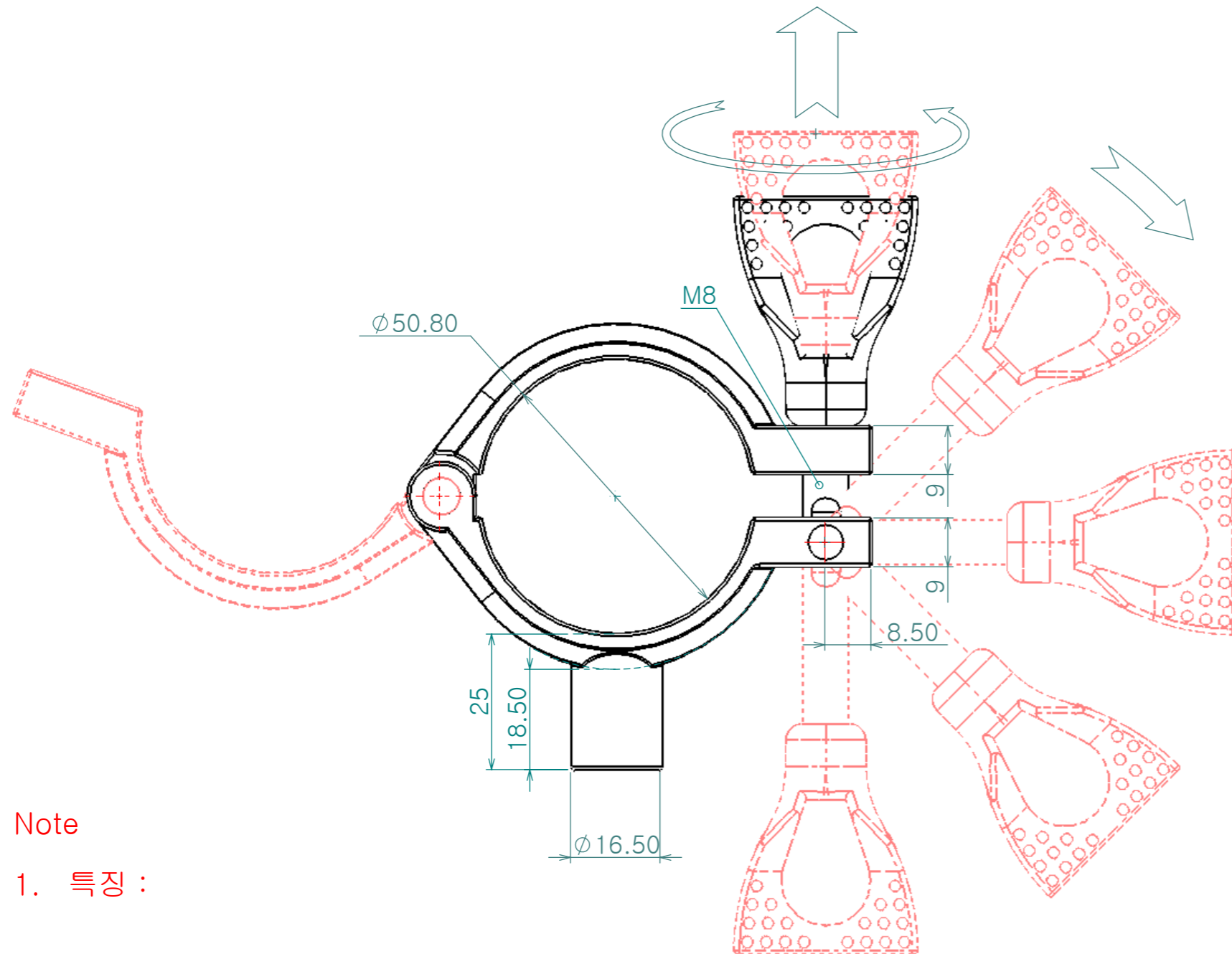
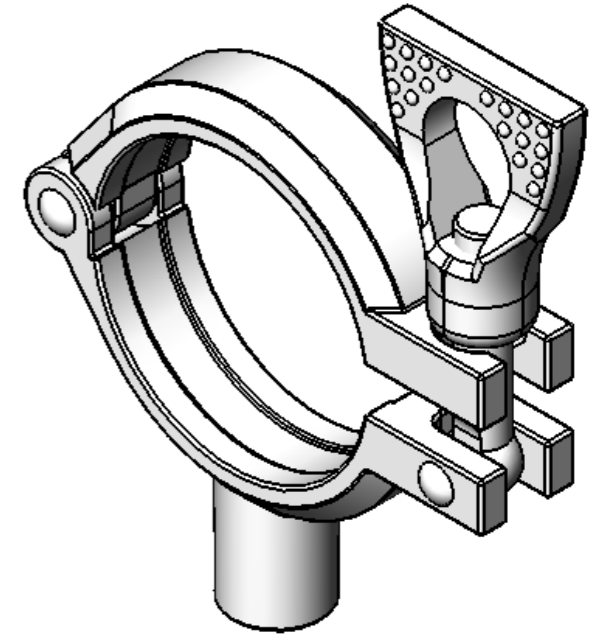
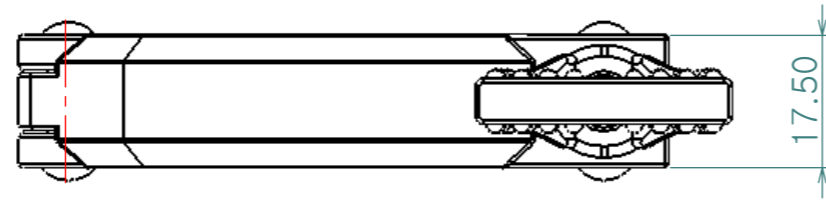


Re. No.	DESCRIPTION	DATE	DS.	CH.	AP.
△					
△					
△					



Note

- 1. 특징 :
- 2. 용도 :

Dimension (mm)	Precision	Material	Dwg. No.	QTY	
0.5~3	±0.05	STS304	Part Name.	**	
3~6		Finish		Weight	
6~30	±0.1	전해연마	**	-	
30~120	±0.15	Revision	Sheet Size	Scale	
120~315	±0.2	-	A3	1:1	
315~1000	±0.3	Date	Designed by	Model No.	
1000~2000	±0.5	2011-07-13	Shin S H		CG-1P-2G
KS B 0412에 준함		Checked by	Approved by	Hardware	