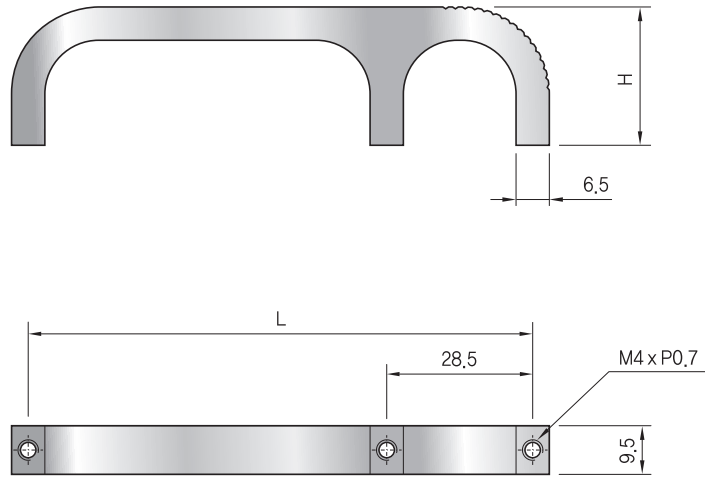


Three-toed Handles



- 가벼운 무게로 높은 강도 유지
- 다양한 길이
- 재 질: 알루미늄
- 표면처리: 무광크롬도금, 백색 및 흑색 아노다이징
- High strength, Light weight handle
- Various lengths
- Material : Aluminum
- Finish : Chrome plated Non-Glossy, Anodized Clear or Black

6.5 x 9.5 Three-toed Handle



Part Numbers

HR-4 **F** - **H** - **L**

F = Finish Code	03 = Non-Glossy Chrome	11 = Silver Anodized	13 = Black Anodized
H = Height Code	27 = 27mm		
L = Length Code	79 = 79.5mm	98 = 98.5mm	