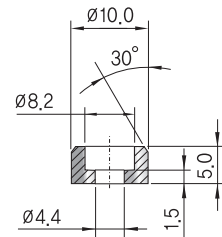
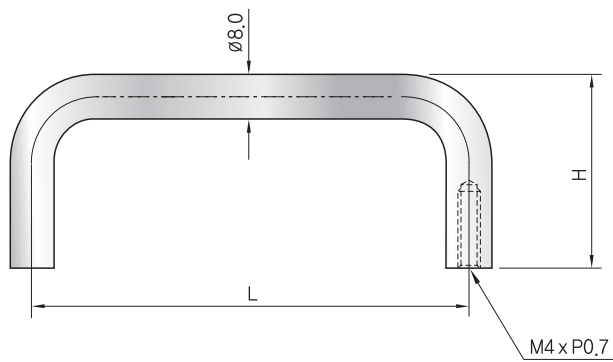


Instrument Handles

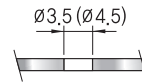


- 높은 강도 유지
- 다양한 길이
- 재 질 : 황동
- 표면처리 : 니켈, 크롬, 무광크롬, 무광니켈도금
- High strength handle
- Various lengths
- Material : BsBM
- Finish : Nickel, Chrome, Nickel / Chrome plated Non-Glossy

8.0 Instrument Handle



Cap



조립 Hole
가공 Size

Part Numbers

H8-4 **F** - **H** - **L**

F = Finish Code	01 = Nickel	02 = Chrome	03 = Non-Glossy Chrome	06 = Non-Glossy Nickel
H = Height Code	33 = 33mm			
L = Length Code	75 = 75mm	89 = 89mm	101 = 101.6mm	120 = 50mm 150 = 150mm