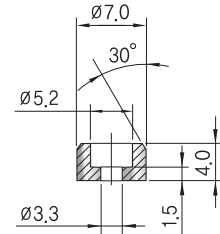
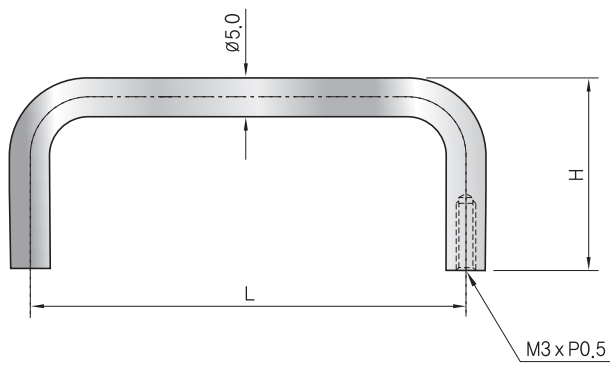


# Instrument Handles

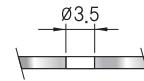


- 높은 강도 유지
- 다양한 길이
- 재 질: 황동
- 표면처리: 니켈, 크롬, 무광크롬, 무광니켈도금
- High strength handle
- Various lengths
- Material : BsBM
- Finish : Nickel, Chrome, Nickel / Chrome plated Non-Glossy

## 5.0 Instrument Handle



Cap



조립 Hole  
가공 Size

## Part Numbers

H5-3 **F** - **H** - **L**

<b>F</b> = Finish Code	01 = Nickel	02 = Chrome	03 = Non-Glossy Chrome	06 = Non-Glossy Nickel
<b>H</b> = Height Code	20 = 20mm	22 = 22mm	23 = 23.5mm	25 = 25mm
<b>L</b> = Length Code	25 = 25mm	31 = 31.7mm	40 = 40mm	50 = 50mm