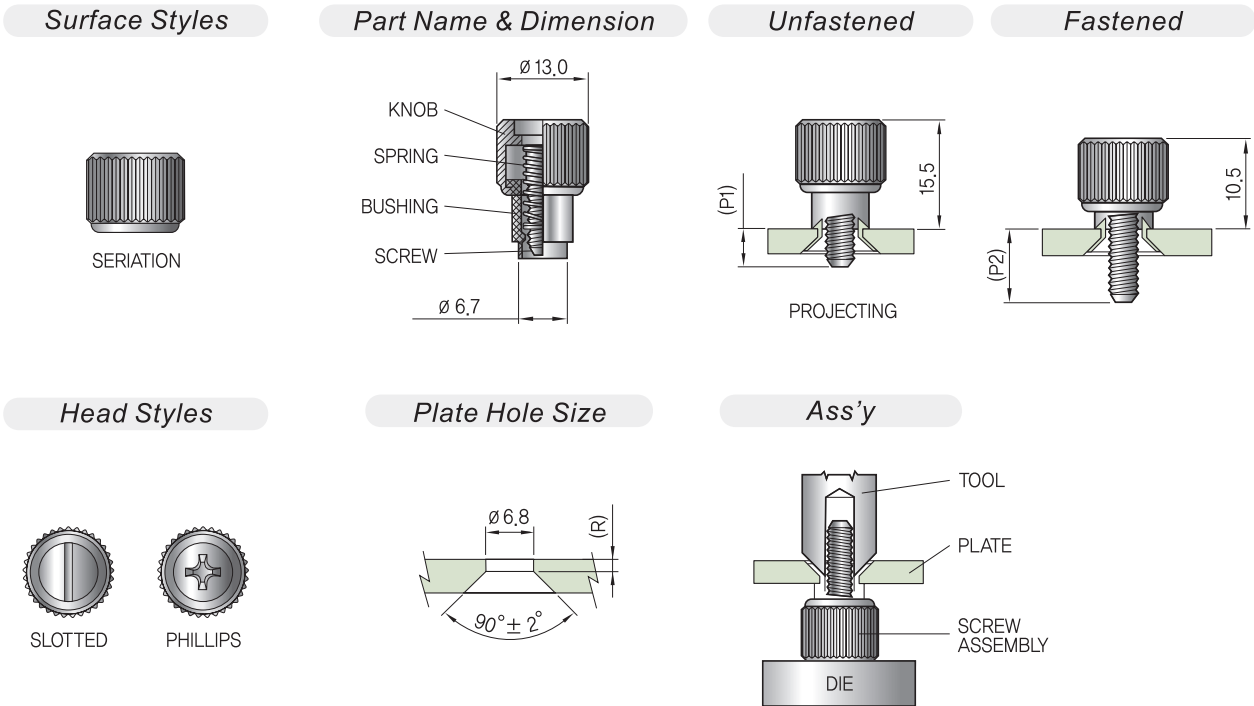


# Captive Fasteners (Flare-In Style)



- 다양한 위치에 설치 가능
- 고강도 나사로 강력한 체결력
- 공구 없이도 신속하게 잠김
- Knob : Aluminium, Natural or Black Anodizing
- Bushing : Aluminium, Natural
- Spring, Screw : Stainless Steel, Passivated

## 10-32 Thread Size



## Part Numbers

Plate - Thickness (T)	1.0			1.5			2.0			2.7				
Plate Hole Length (R)	0.5			0.7			1.0			1.5				
Screw Size	17.0	18.0	20.0	17.0	18.0	20.0	17.0	18.0	20.0	18.0	20.0	23.0		
Screw 돌출높이 (P1)	1.5	2.5	4.5	1.5	2.5	4.5	1.5	2.5	4.5	2.5	4.5	7.5		
Screw 돌출높이 (P2)	6.5	7.5	9.5	6.5	7.5	9.5	6.5	7.5	9.5	7.5	9.5	12.5		
Part Number	Slotted	Natural	U100-10S1N-17; U100-10S1N-18; U100-10S1N-20			U100-15S1N-17; U100-15S1N-18; U100-15S1N-20			U100-20S1N-17; U100-20S1N-18; U100-20S1N-20			U100-27S1N-18; U100-27S1N-20; U100-27S1N-23		
		Black	U100-10S1B-17; U100-10S1B-18; U100-10S1B-20			U100-15S1B-17; U100-15S1B-18; U100-15S1B-20			U100-20S1B-17; U100-20S1B-18; U100-20S1B-20			U100-27S1B-18; U100-27S1B-20; U100-27S1B-23		
	Phillips	Natural	U100-10S2N-17; U100-10S2N-18; U100-10S2N-20			U100-15S2N-17; U100-15S2N-18; U100-15S2N-20			U100-20S2N-17; U100-20S2N-18; U100-20S2N-20			U100-27S2N-18; U100-27S2N-20; U100-27S2N-23		
		Black	U100-10S2B-17; U100-10S2B-18; U100-10S2B-20			U100-15S2B-17; U100-15S2B-18; U100-15S2B-20			U100-20S2B-17; U100-20S2B-18; U100-20S2B-20			U100-27S2B-18; U100-27S2B-20; U100-27S2B-23		