

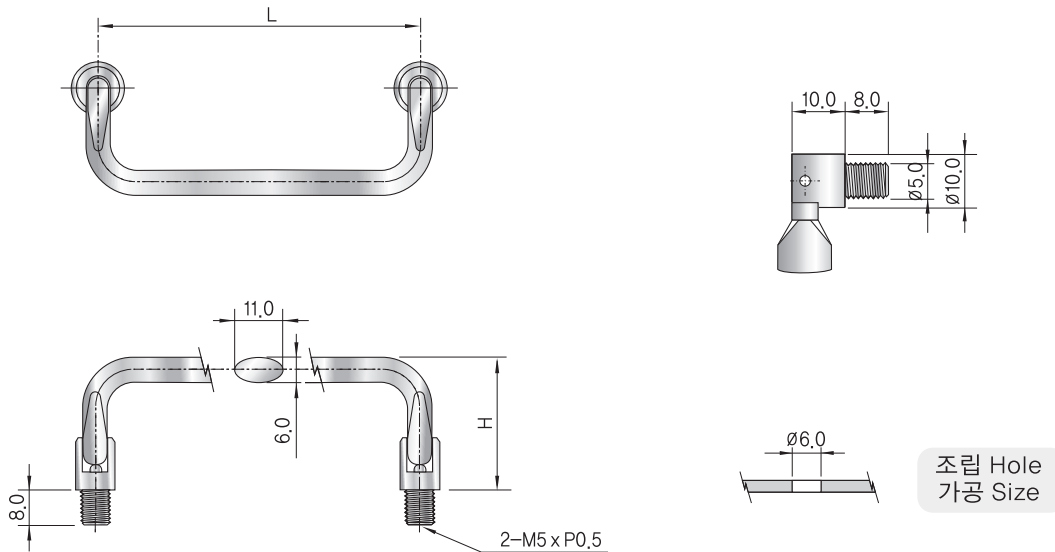
# Oval Collapsible Instrument Handles



의장등록 제 0296184 / Registered Design No. 0296184

- 접이식으로 높이가 낮음
- 재 질 : 핸들 = 황동 / 핀 = 스테인레스
- 표면처리 : 무광, 니켈도금
- Low profile collapsible type
- Material : Handle = BsBM / Pin = Stainless Steel
- Finish : Chrome plated Non-Glossy, Nickel

## 6.0 x 11.0 Oval Handle



## Part Numbers

HOAS-5 **F** - **H** - **L**

<b>F</b> = Finish Code	01 = Nickel	02 = Chrome	03 = Non-Glossy Chrome	06 = Non-Glossy Nickel
<b>H</b> = Height Code	26 = 26mm			
<b>L</b> = Length Code	60 = 60mm	90 = 90mm		