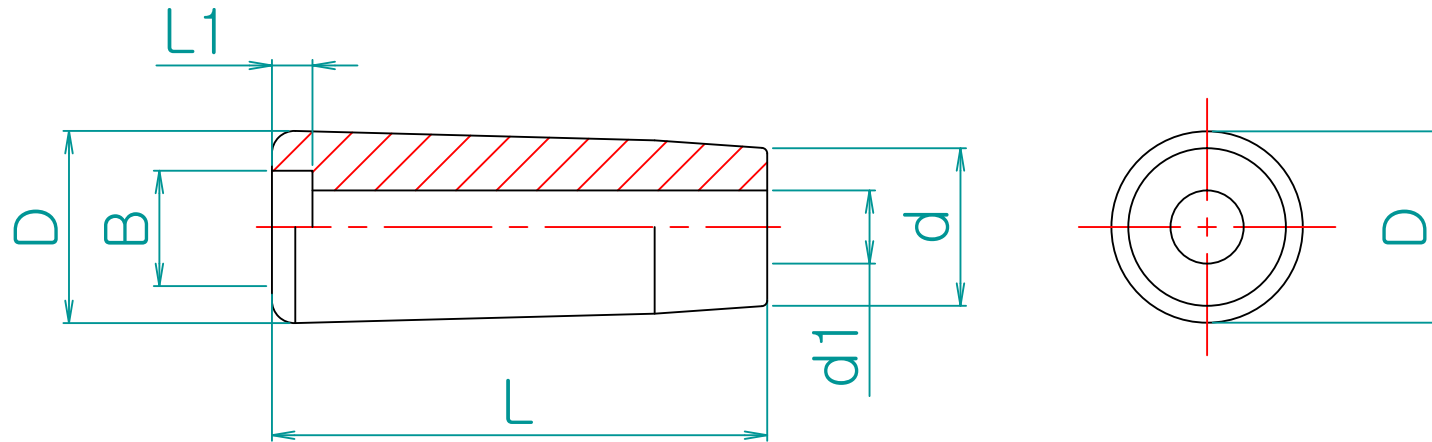
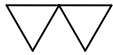


Rev. No.	DESCRIPTION	DATE	DS.	CH.	AP.
△					
△					
△					



unit : mm

제품명	M	D	L	L1	B	d	d1
PGC 6	M6	17	44	4	10	14	6.5
PGC 8	M8	21	55	6	13	16	8
PGC 10	M10	25	74	7	15	17	10
PGC 12	M12	30	86	7	17	21	12

Note

1. 특징 :

2. 용도 :

	재 질	표면처리
그립부	나일론(Polyamide)	흑색유광

Dimension (mm)	Precision	Material	Dwg. No.	Q'TY
0.5~3		나일론(Polyamide)		**
3~6	±0.05	Finish	Part Name.	Weight
6~30	±0.1	흑색유광	**	-
30~120	±0.15	Revision	Ass'y Name	Scale
120~315	±0.2	-	**	1:1
315~1000	±0.3	Date	Model No.	
1000~2000	±0.5	2010-09-07	PGC	
		Designed by Shin S H		
		Checked by		Approved by
KS B 0412에 준함				