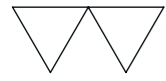
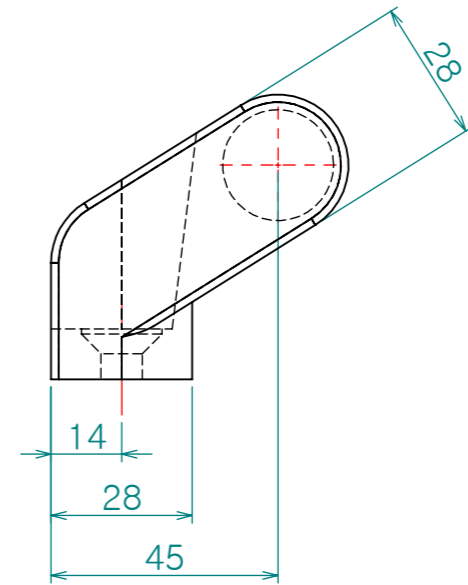
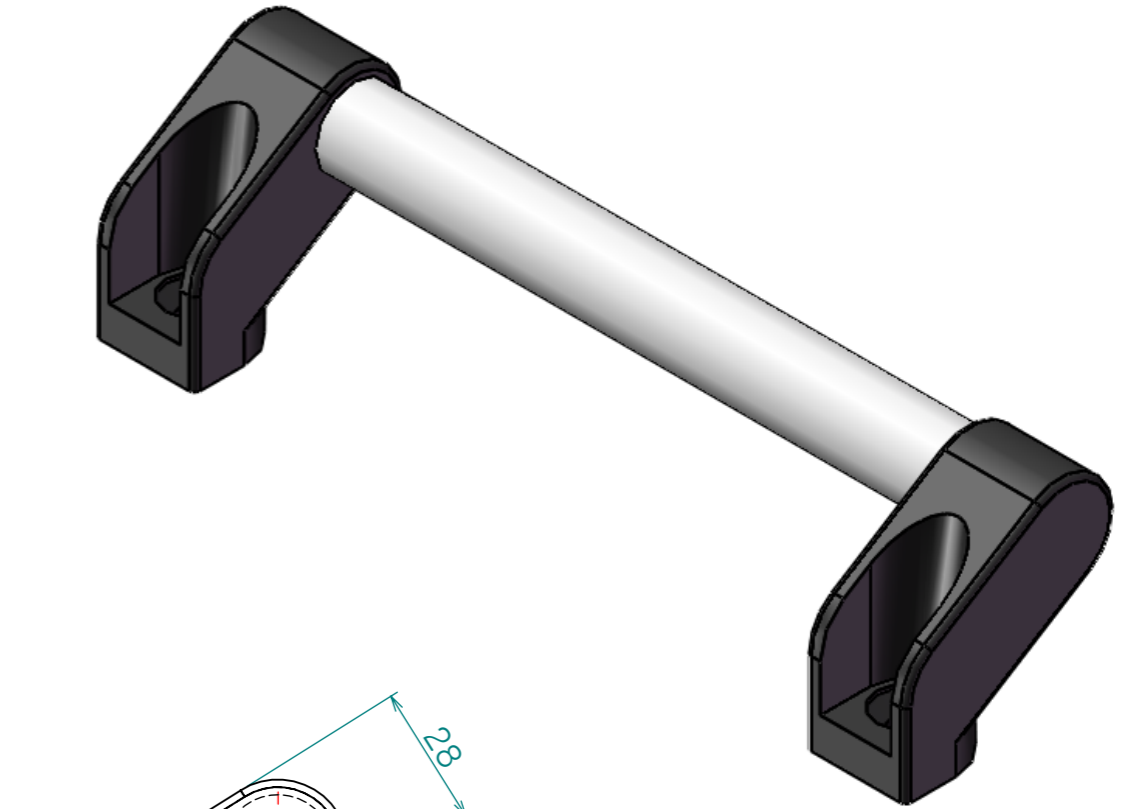
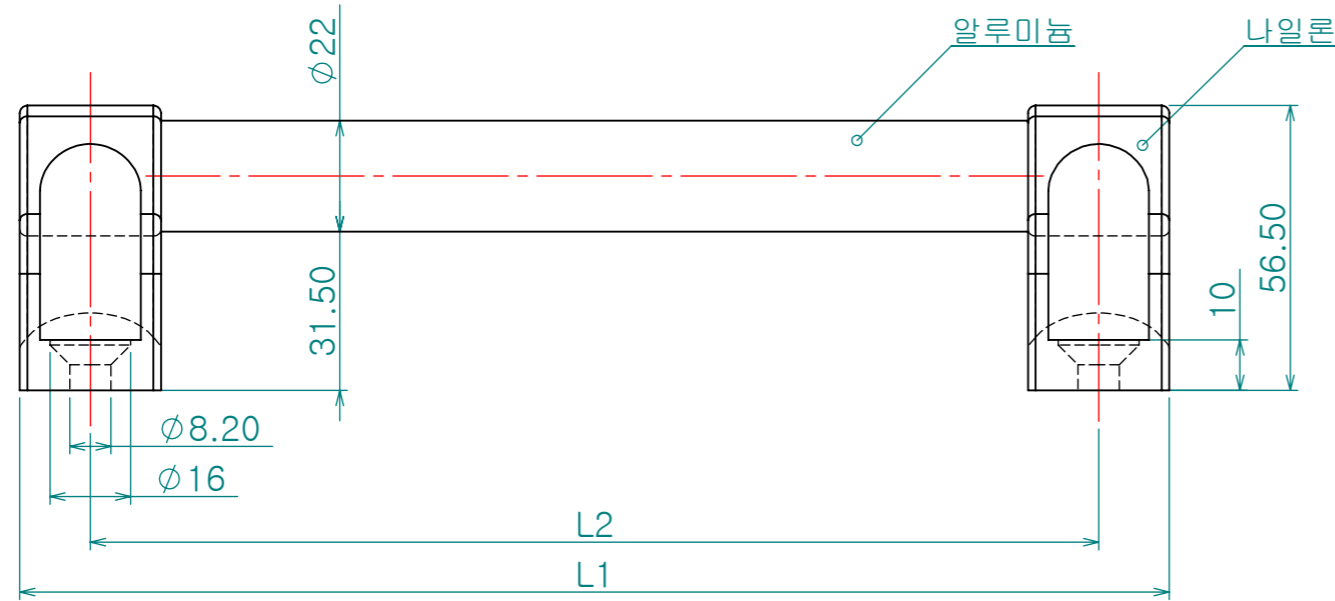
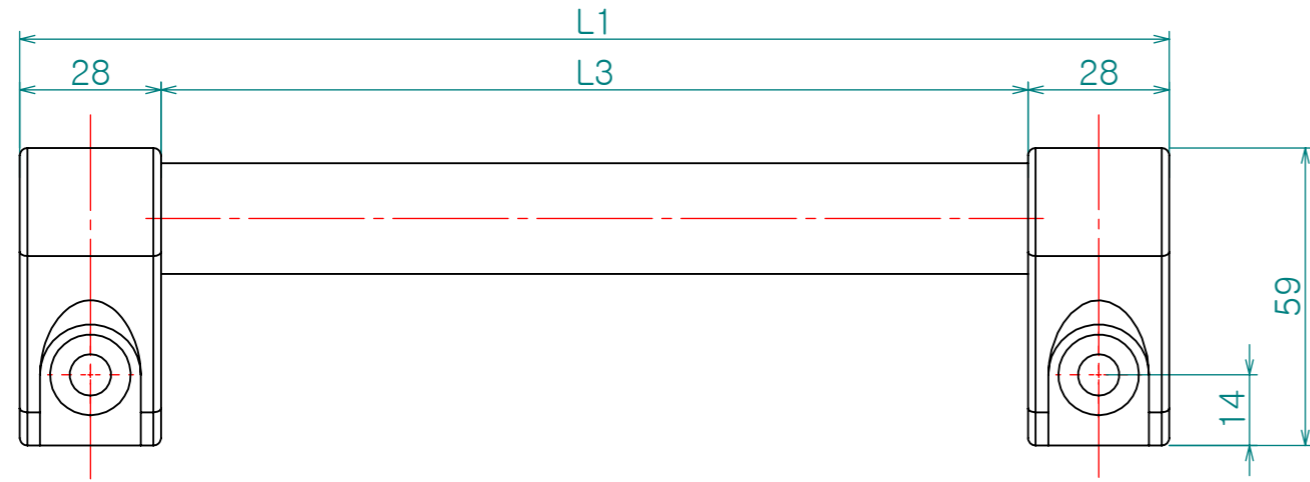


Dwg. No.



Re. No.	DESCRIPTION	DATE	DS.	CH.	AP.
△					
△					
△					



제품명	L1	L2	L3
CA-006-1	178	150	122
CA-006-2	228	200	172
CA-006-3	278	250	222
CA-006-4	328	300	272

Note

- 1. 특징 :
- 2. 용도 :

Dimension (mm)	Precision	Material **	Dwg. No.	QTY *EA
0.5~3	±0.05	Finish **	Part Name. **	Weight -
3~6				
6~30	±0.1	Revision -	Sheet Size <b>A3</b>	Ass'y Name **
30~120	±0.15			
120~315	±0.2	Date 2010-11-17	Designed by <i>Shin S H</i>	Model No. <b>CA-006</b>
315~1000	±0.3	Checked by	Approved by	
1000~2000	±0.5	KS B 0412에 준함		Scale 1:1.5