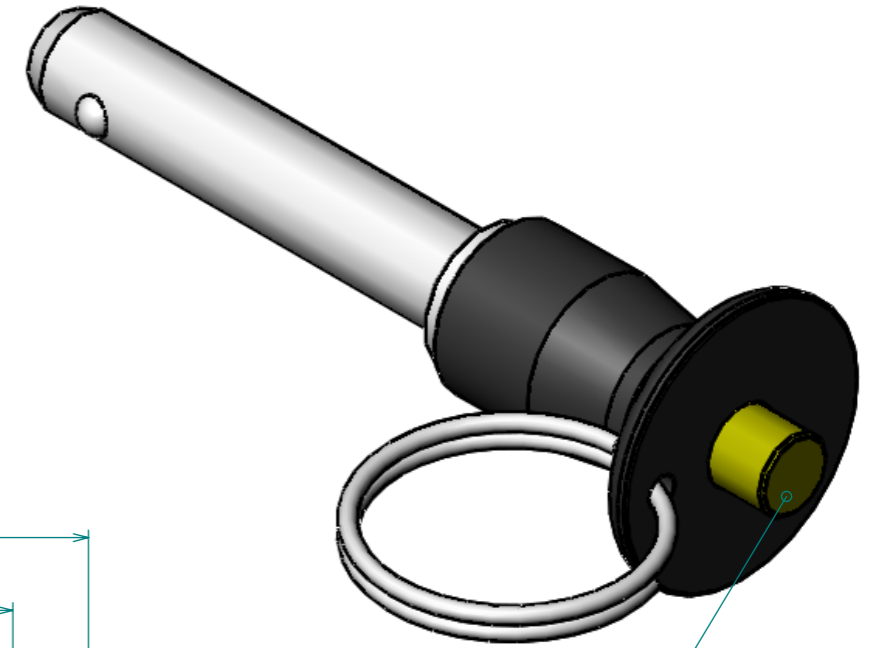
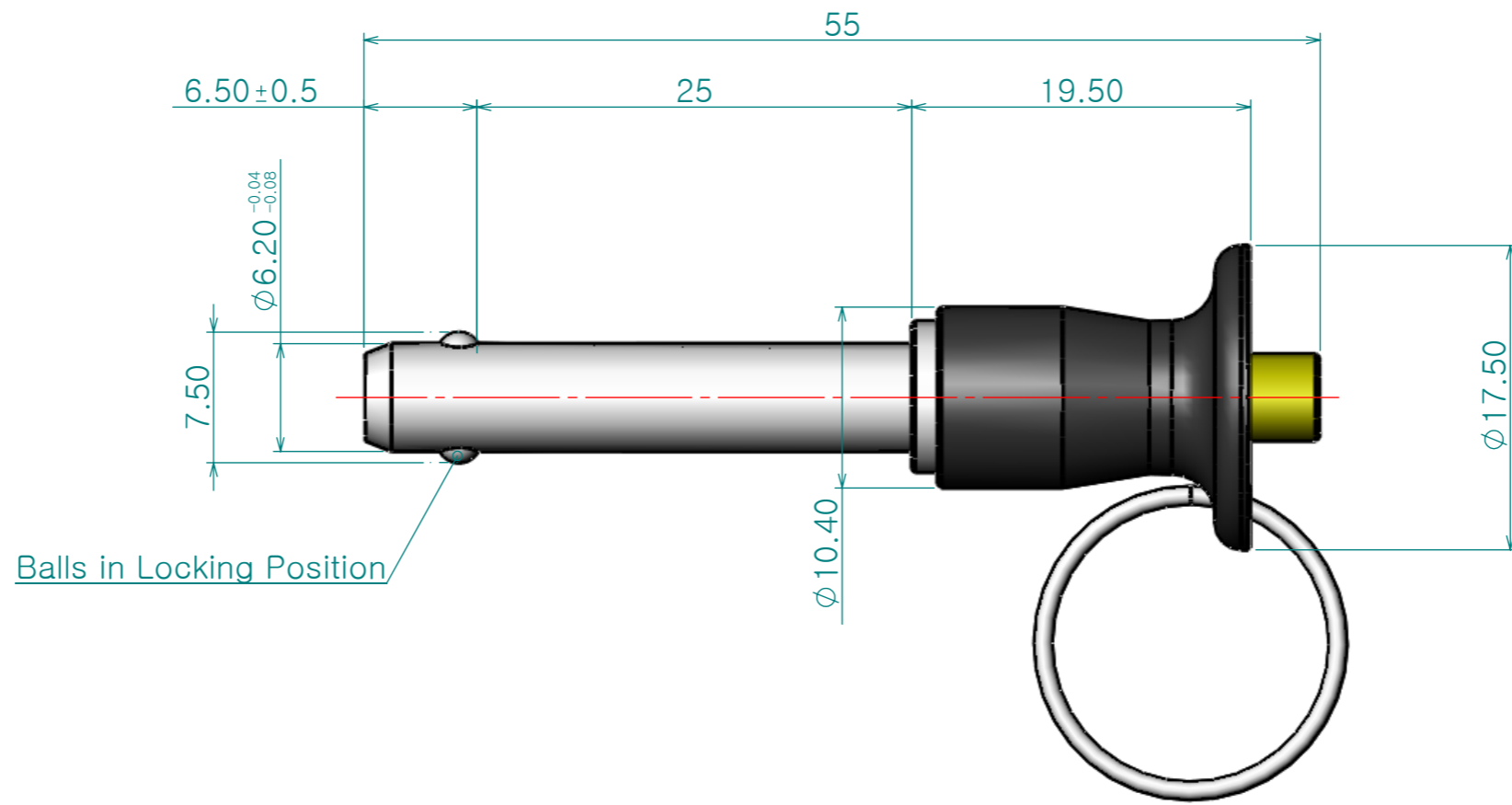
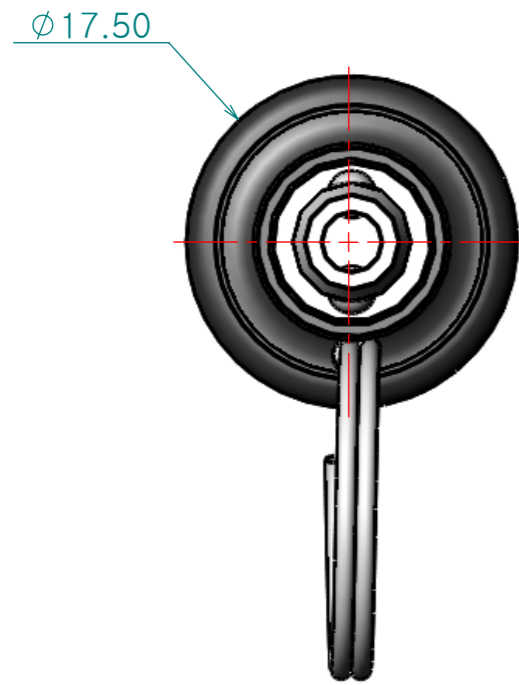
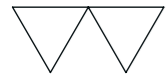


Re. No.	DESCRIPTION	DATE	DS.	CH.	AP.
△					
△					
△					



Note

- 1. 특징 :
- 2. 용도 :

	재 질	표면처리
HANDLE	Polyamide	Black
PIN	Stainless	
BALL	Stainless	
SPRING	Stainless	
PUSH BUTTON	Brass	

Dimension (mm)	Precision	Material	Dwg. No.	QTY	
0.5~3	±0.05	-	Part Name.	**	
3~6		Finish		**	Weight
6~30	±0.1	-	Ass'y Name	-	
30~120	±0.15	Revision	Sheet Size	Scale	
120~315	±0.2	-	A3	2.5:1	
315~1000	±0.3	Date	Designed by	Model No.	
1000~2000	±0.5	2010-10-04	Shin S H		CS-P005
KS B 0412에 준함		Checked by	Approved by		