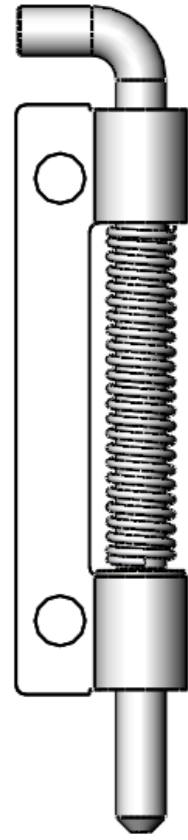
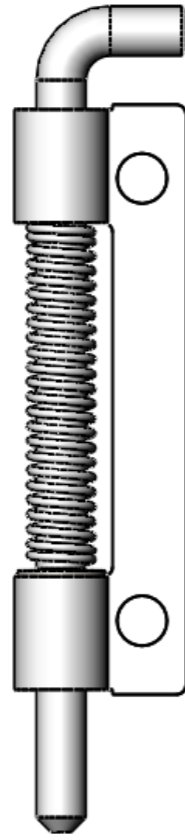


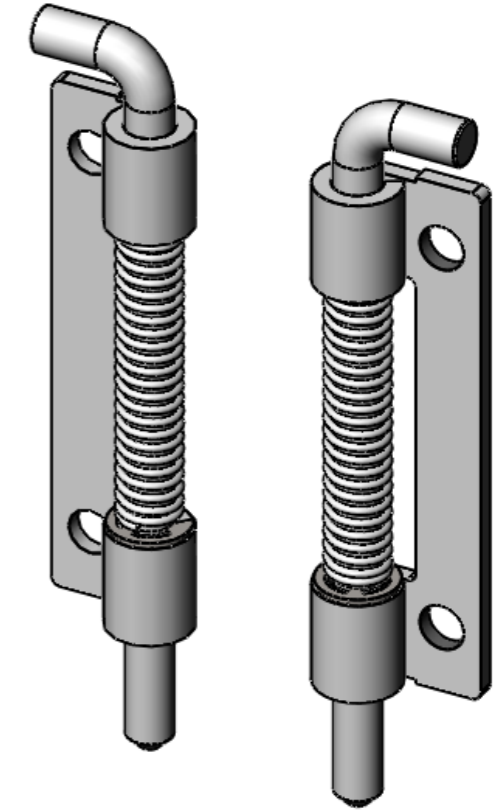
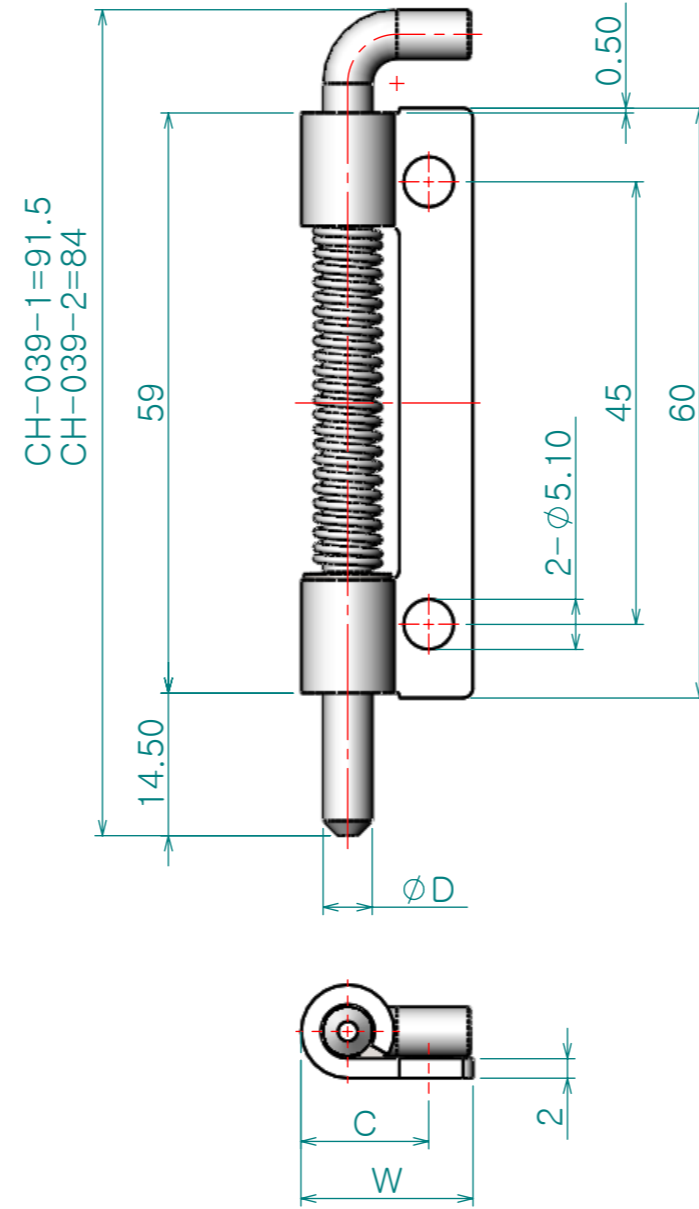
Re. No.	DESCRIPTION	DATE	DS.	CH.	AP.
△					
△					
△					



L-TYPE



R-TYPE



제품명				W	C	φ
STEEL (R)	STEEL (L)	STAINLESS (R)	STAINLESS (L)			
CH- 039-2R	CH- 039-2L	CH- 039-2SR	CH- 039-2SL	17.5	13	5
CH- 039-1R	CH- 039-1L	CH- 039-1SR	CH- 039-1SL	23.5	17	6
아연도금		바렐연마				

Note

- 특징 :
- 용도 :

Dimension (mm)	Precision	Material	Dwg. No.	QTY
0.5~3	±0.05	STEEL,STAINLESS	CH- 039-1,2	**
3~6		Finish		Part Name.
6~30	±0.1	**	CH- 039-1,2	-
30~120	±0.15	Revision	Ass'y Name	Scale
120~315	±0.2	-	**	1.3:1
315~1000	±0.3	Date	Model No.	
1000~2000	±0.5	2011-03-21	**	
KS B 0412에 준함		Designed by		
		Shin S H		
		Checked by		
		Approved by		