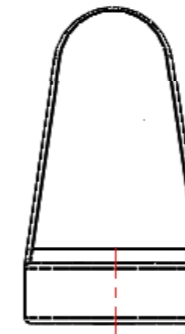
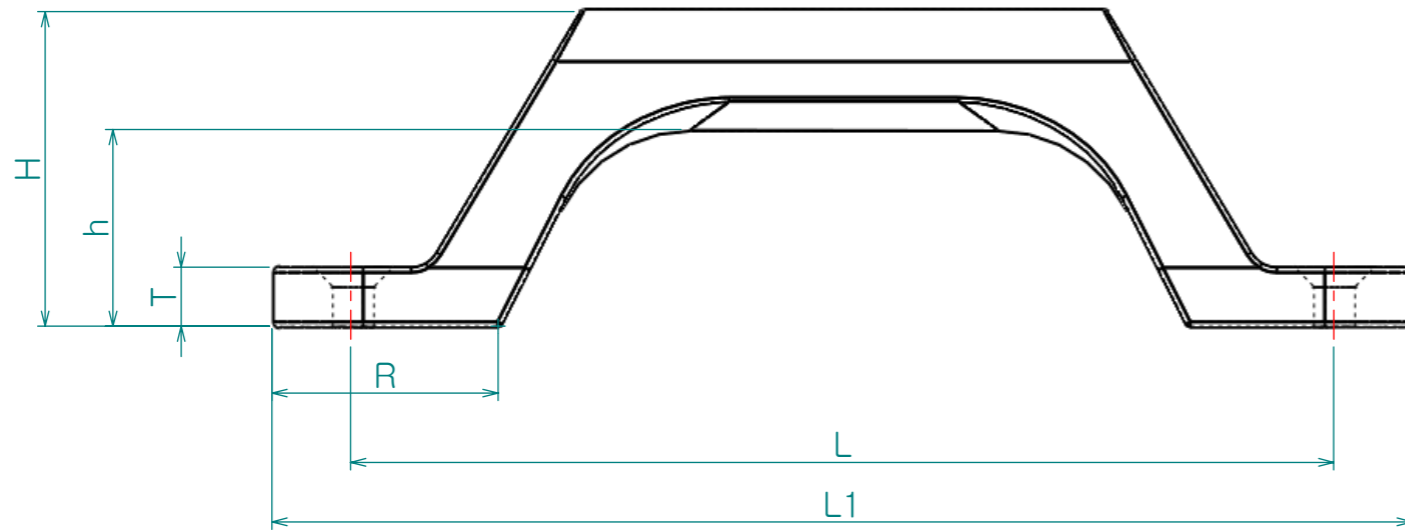
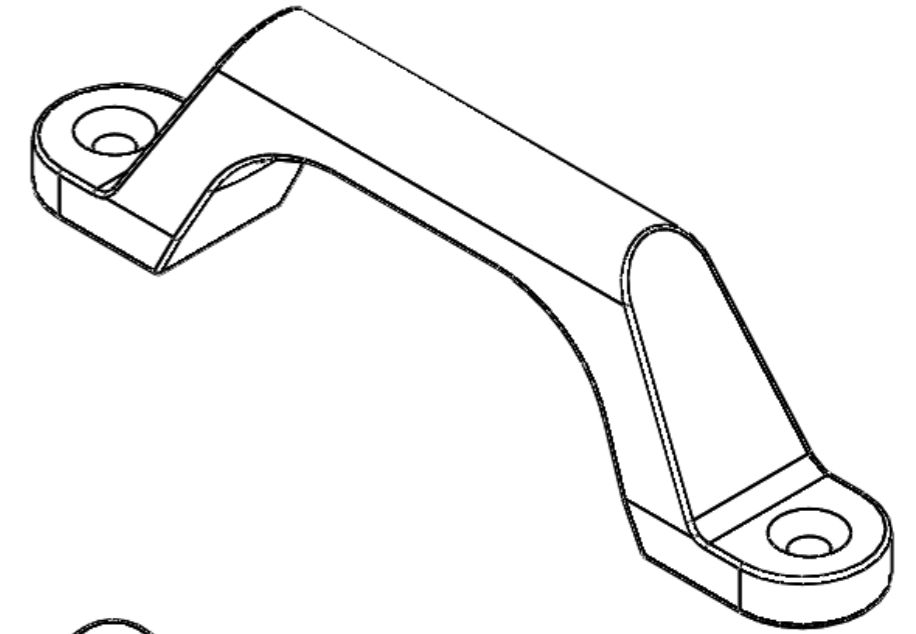
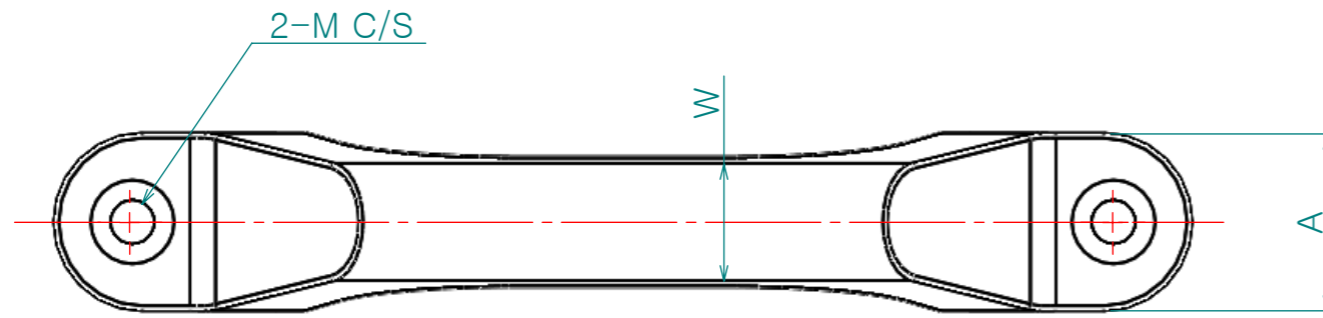


Dwg. No.

Re. No.	DESCRIPTION	DATE	DS.	CH.	AP.
△					
△					
△					



제품명	L	L1	H	h	T	A	W	R	M C/S
CA-1024-80	80	96	32	20	6	18	12	20	M4
CA-1024-100	100	116							
CA-1024-150	150	170	46	30	9	22	16	30	M6
CA-1024-200	200	220							

Dimension (mm)	Precision	Material	Dwg. No.	QTY
0.5~3	±0.05	STS304 주조		*EA
3~6		Finish	Part Name.	Weight
6~30	±0.1	광택연마	**	-
30~120	±0.15	Revision	Sheet Size	Scale
120~315	±0.2	-	A3	1.3:1
315~1000	±0.3	Date	Designed by	Model No.
1000~2000	±0.5	2017-09-18	Shin S H	
KS B 0412에 준함		Checked by	Approved by	
			Hardware	