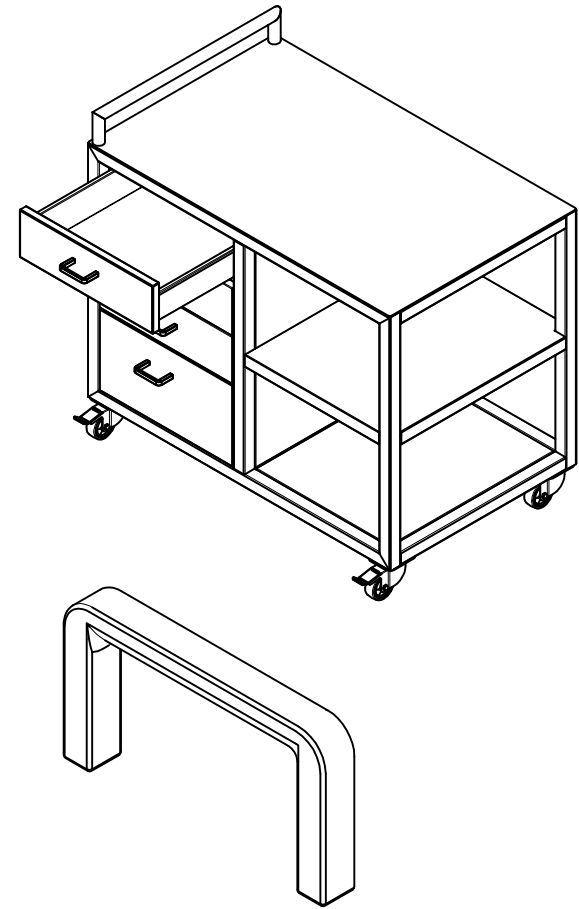
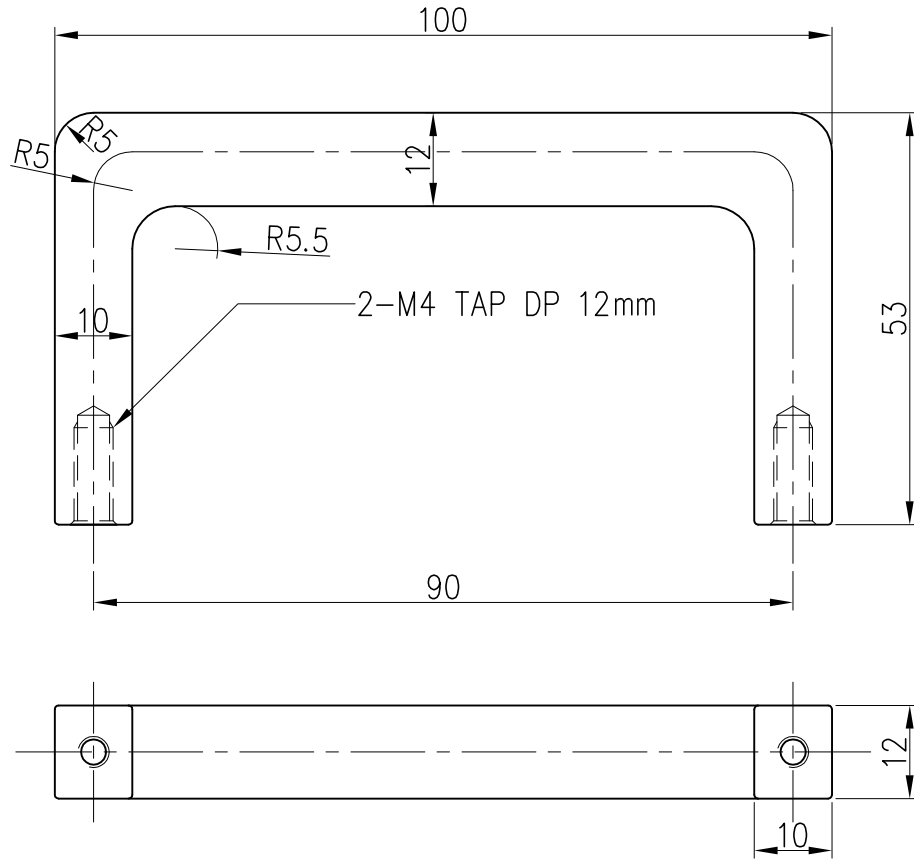


The use or communication of the contents there of are forbidden without express authority. (당사의 사전 허락없이 무단 전제 및 복사를 금함)

NO	REVISION RECORD	DATE	CHK.	APPR.



TOLERANCE(mm)  
(KS B 0412에 준함)

6 이하	±0.05
6 ~ 30	±0.1
30 ~ 120	±0.15
120 ~ 315	±0.2
300 ~ 1000	±0.3
1000 ~ 2000	±0.5

Note

1. 특징 :
2. 용도 :

FINISH	MATERIAL	UNIT	mm	NO.	DESCRIPTION	DWG. NO	QTY	REMARK
Hairline (해어라인)	SUS304	APP.			DWG. NO.	-		V1.0
	-	DWG.	2023.01.02		PART NAME			
QTY	Hardware			1/1	ASS'Y NAME	lab 핸들		
1 EA/SET				A3	MODEL NO.	CA-1070		