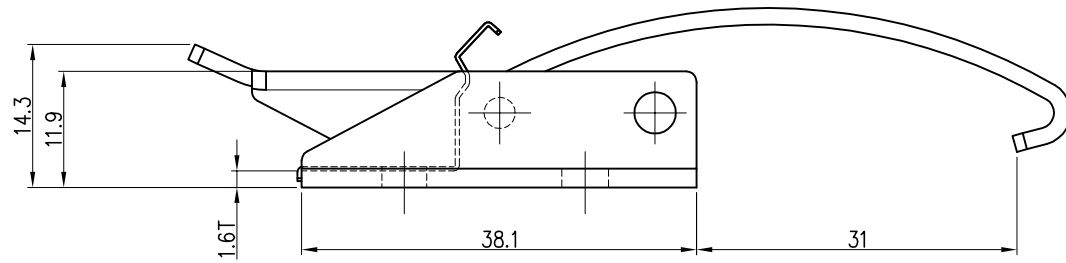
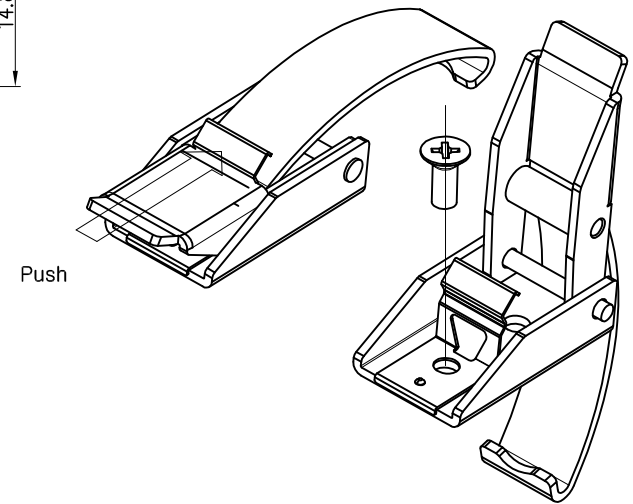
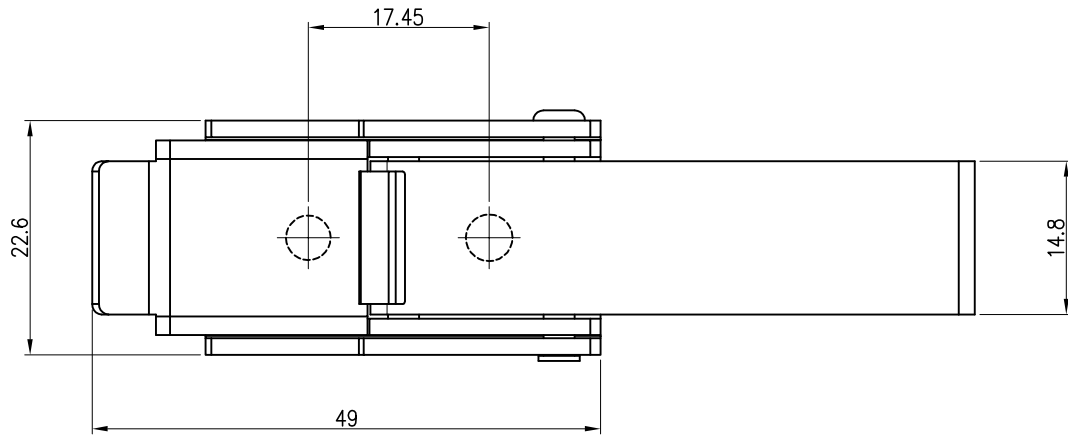


The use or communication of the contents there of are forbidden without express authority. (당사의 사전 허락없이 무단 전제 및 복사를 금함)

NO	REVISION RECORD	DATE	CHK.	APPR.



TOLERANCE(mm) (KS B 0412에 준함)	
6 이하	±0.05
6 ~ 30	±0.1
30 ~ 120	±0.15
120 ~ 315	±0.2
300 ~ 1000	±0.3
1000 ~ 2000	±0.5

Note

1. 규격 :
2. 재료 :

FINISH	MATERIAL	UNIT	mm	NO.	DESCRIPTION	DWG. NO	QTY	REMARK
아연도금 (Zinc Plating)	Steel 1.6T	APP. DWG.	2022.01.25		DWG. NO. PART NAME	-		V1.0
QTY	<b>Hardware</b>			1/1	ASS'Y NAME	Draw Latch		
1 EA/SET				A3	MODEL NO.	CC-1092		