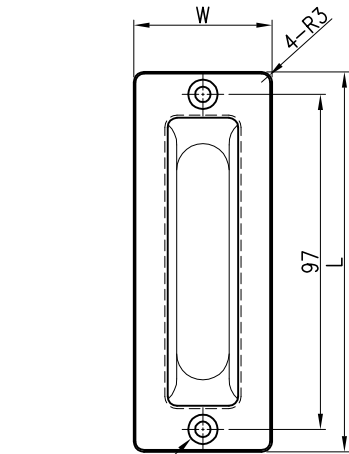
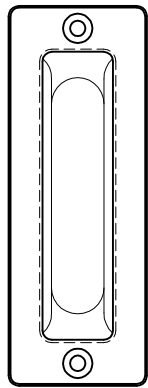
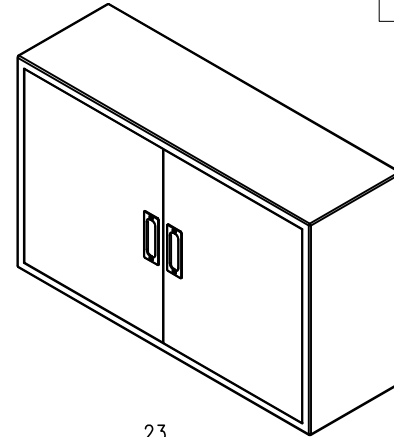
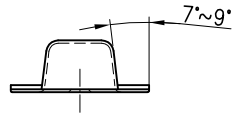
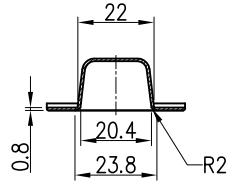
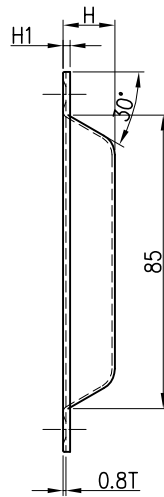


The use or communication of the contents there of are forbidden without express authority. (당사의 사전 허락없이 무단 전제 및 복사를 금함)

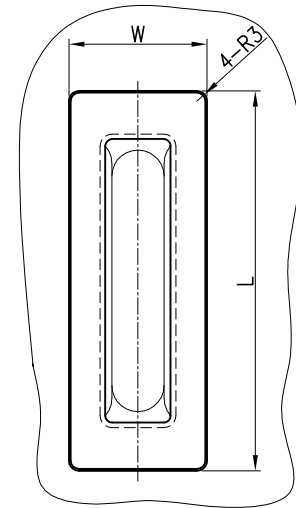
NO	REVISION RECORD	DATE	CHK.	APPR.



2-M C'SINK
SCREW TYPE
CA-1062-1N,2N



Panel Drilling Dimension



WELDING TYPE
CA-1062-1,2

제품명	L	W	M	H	H
CA-1062-1	110	28	3	14.5	1.8
CA-1062-1N					
CA-1062-2	110	40	4	12.5	2
CA-1062-2N					

※ CA-1062-1,2 용접용
CA-1062-1N,2N 스크류용

TOLERANCE(mm) (KS B 0412에 준함)	
6 이하	±0.05
6 ~ 30	±0.1
30 ~ 120	±0.15
120 ~ 315	±0.2
300 ~ 1000	±0.3
1000 ~ 2000	±0.5

FINISH	MATERIAL	UNIT	mm	NO.	DESCRIPTION	DWG. NO	QTY	REMARK
도금 : 헤어라인	SUS304	APP.	2020.05.20	S.H.KIM	DWG. NO.			V1.0
도장 :	t=0.8	DWG.	2020.05.20		PART NAME	매립손잡이_110x28 / 110x40		
QTY				1/1	ASS'Y NAME	매립손잡이		
1 EA/SET				A3	MODEL NO.	CA-1062-1(N),2(N)		