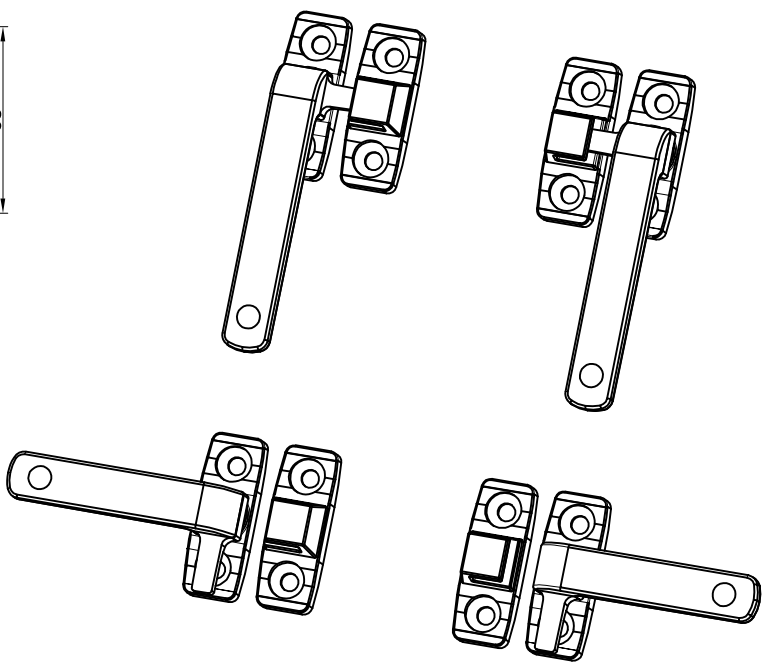
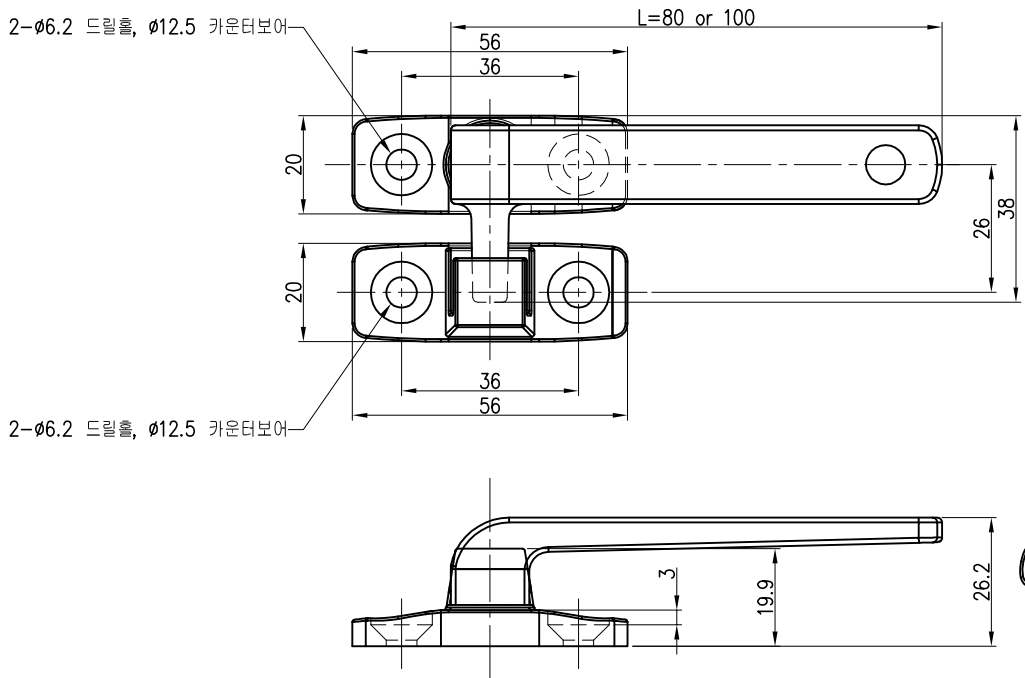


The use or communication of the contents there of are forbidden without express authority. (당사의 사전 허락없이 무단 전제 및 복사를 금함)

NO	REVISION RECORD	DATE	CHK.	APPR.



80L / 100L

80R / 100R

제품명	L
CA-1067-80L	80
CA-1067-80R	
CA-1067-100L	100
CA-1067-100R	

TOLERANCE(mm) (KS B 0412에 준함)	
6 이하	±0.05
6 ~ 30	±0.1
30 ~ 120	±0.15
120 ~ 315	±0.2
300 ~ 1000	±0.3
1000 ~ 2000	±0.5

Note
 1. 특장 :
 2. 용도 :

FINISH	MATERIAL	UNIT	mm	NO.	DESCRIPTION	DWG. NO	QTY	REMARK
Mirror Polishing	SUS 304	APP.			DWG. NO.	-		V1.0
		DWG.	2021.08.01		PART NAME			
QTY	Hardware			1/1	ASS'Y NAME	회전래치		
1 EA/SET				A3	MODEL NO.	CA-1067		