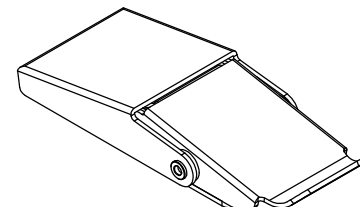
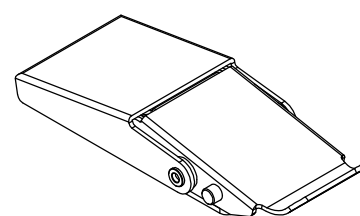
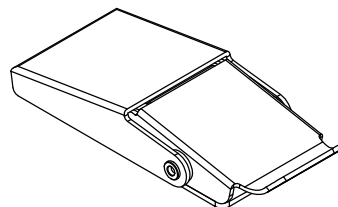
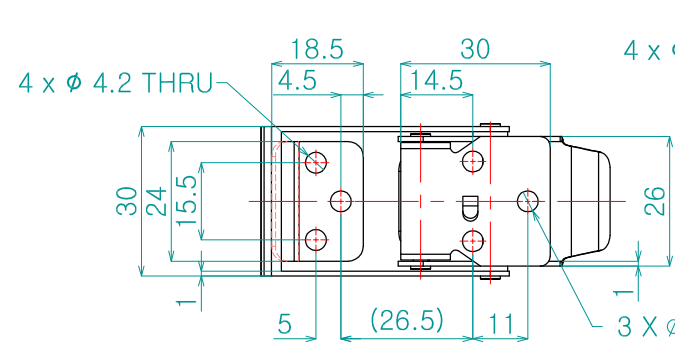
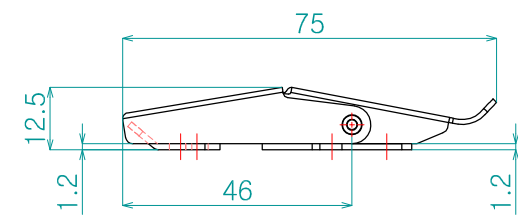
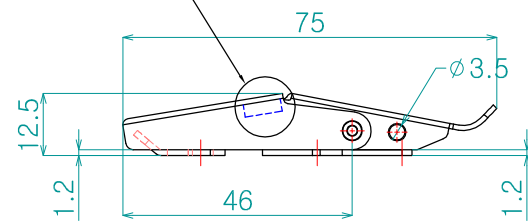
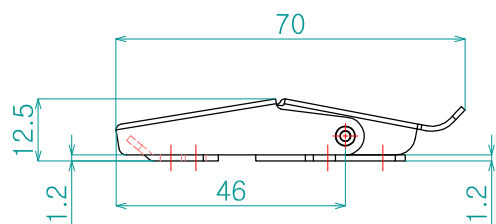




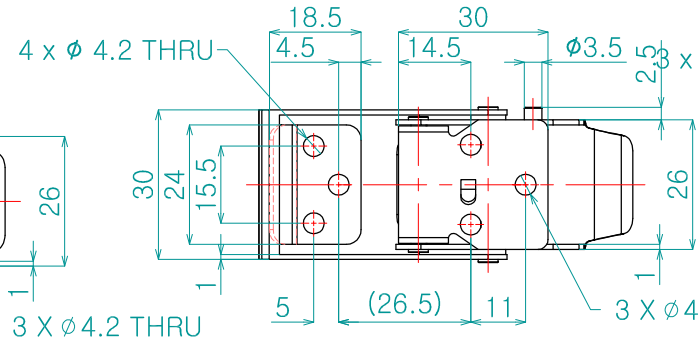
Re. No.	DESCRIPTION	DATE	DS.	CH.	AP.
△					
△					
△					



CC-1016-20 = Rubber 장착

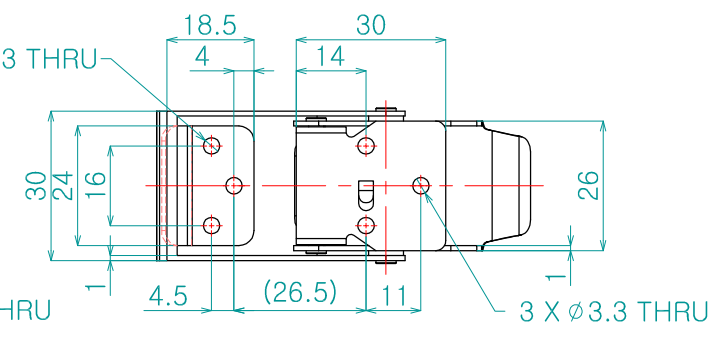


CC-1061-1



CC-1061-2

CC-1061-20 (Rubber 쿠션 장착)



CC-1061-3

- Note
- 특징 :
 - 용도 :

Dimension (mm)	Precision	Material	Dwg. No.	QTY	
0.5~3		STS 304		**	
3~6	±0.05	Finish	Part Name.	Weight	
6~30	±0.1	HAIRLINE	**	-	
30~120	±0.15	Revision	Ass'y Name	Scale	
120~315	±0.2	-	**	1.2:1	
315~1000	±0.3	Date	Model No.		
1000~2000	±0.5	2014-10-30	CC-1061		
KS B 0412에 준함		Checked by	Approved by		