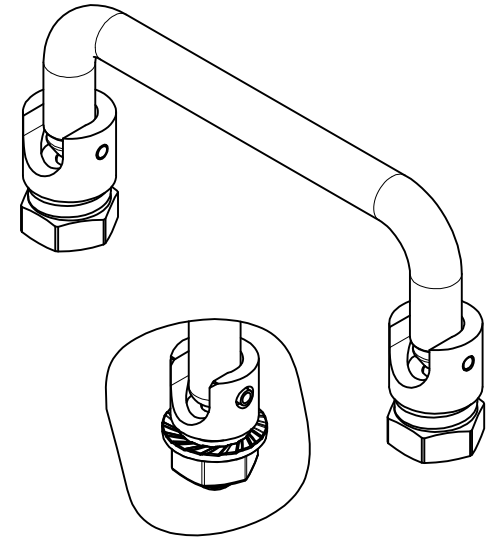
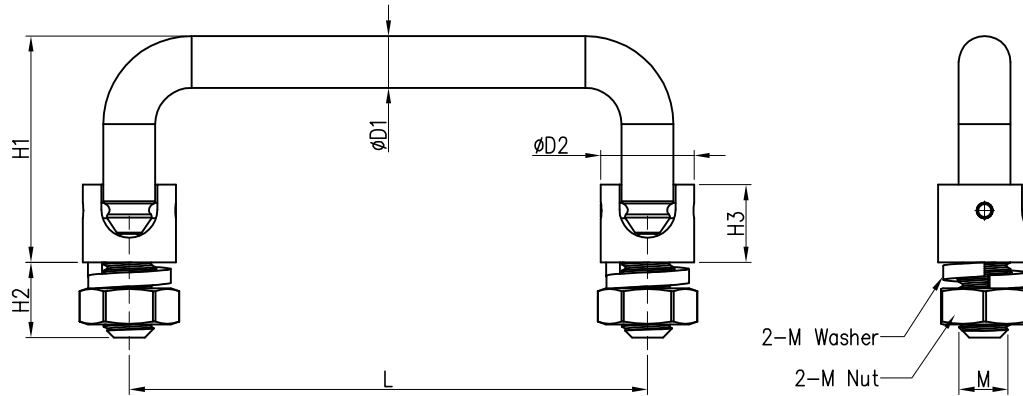


The use or communication of the contents there of are forbidden without express authority. (당사의 사전 허락없이 무단 전제 및 복사를 금함)

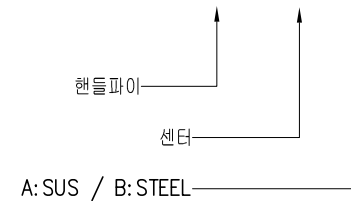
NO	REVISION RECORD	DATE	CHK.	APPR.



※ CA-2010-100A Flange Nut

제품명	L	φD1	φD2	H1	H2	H3	M	재질
CA-2006-90B-1	90	6	10	25	8	9	M5	STEEL
CA-2006-90B	90	6	11	31.8	13	8.1	M6	STEEL
CA-2008-100B	100	8	16	41.5	16.5	12	M10	STEEL
CA-2009-100B	100	8.7(9)	16	40.5	16.5	12	M10	STEEL
CA-2009-110B	110	8.7(9)	16	40.5	16.5	12	M10	STEEL
CA-2010-100B	100	10	18	43.7	14.5	15	M10	STEEL
CA-2009-100A	100	8.7(9)	16.2	40.3	16	12	M10	SUS304
CA-2010-100A	100	10	17	43	15.5	13.5	M10	SUS304
CA-2010-125A	125	10	17	43	15.5	13.5	M10	SUS304
CA-2010-150A	150	10	17	43	15.5	13.5	M10	SUS304

CA-20XX-XX-X



TOLERANCE(mm)
(KS B 0412에 준함)

6 이하	±0.05
6 ~ 30	±0.1
30 ~ 120	±0.15
120 ~ 315	±0.2
300 ~ 1000	±0.3
1000 ~ 2000	±0.5

FINISH	MATERIAL	UNIT	mm	NO.	DESCRIPTION	DWG. NO	QTY	REMARK
SUS 304: 바렐연마 STEEL: 크롬도금	A: SUS 304 B: STEEL	APP. DWG.	2020.05.15		DWG. NO. PART NAME	-	-	V1.0
QTY	CA Hardware			1/1	ASS'Y NAME	-		
1 EA/SET	A3				MODEL NO.	CA-20 Series		