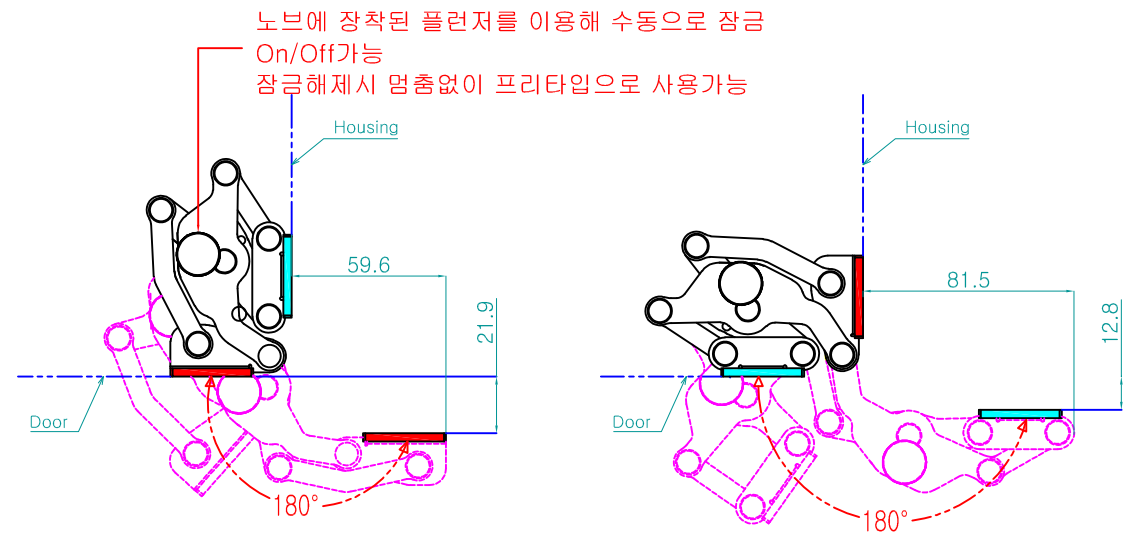
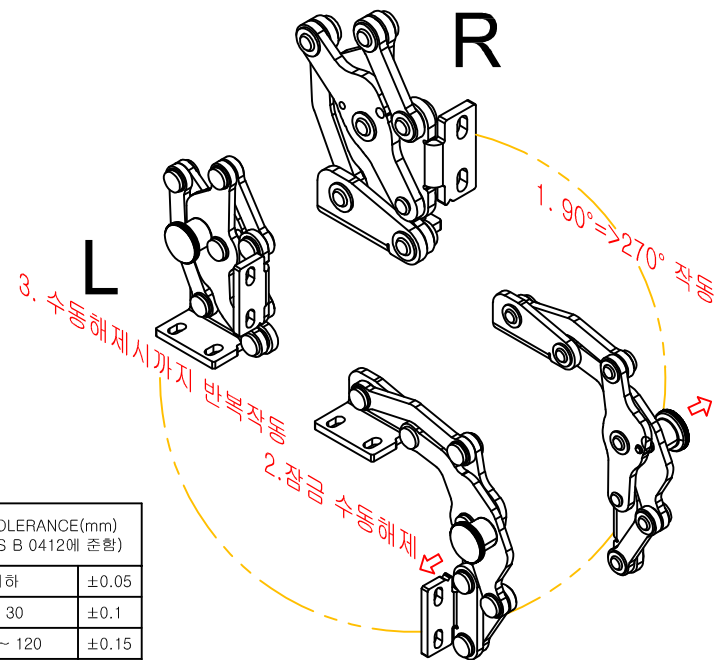
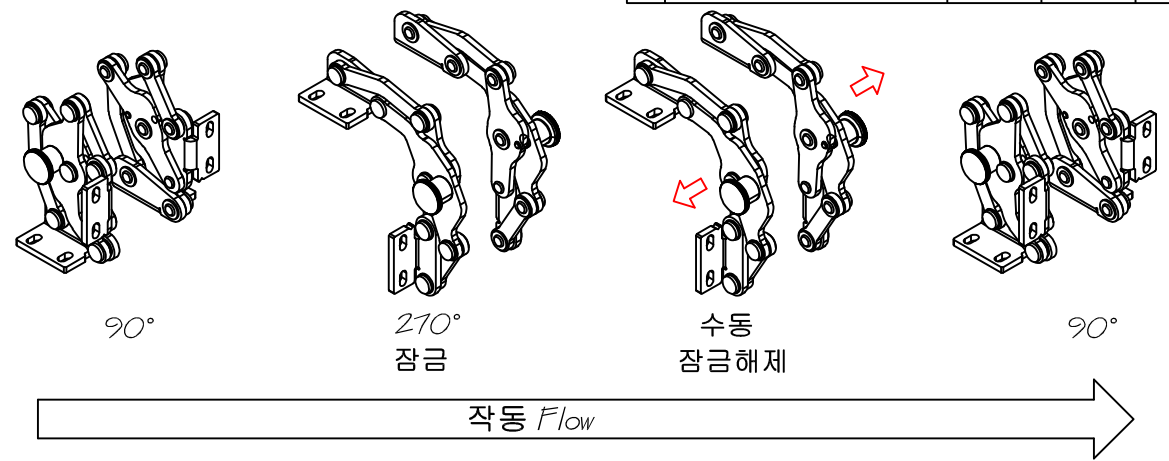
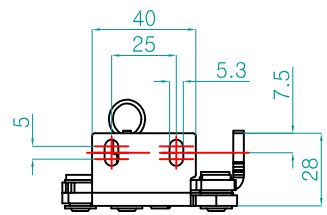
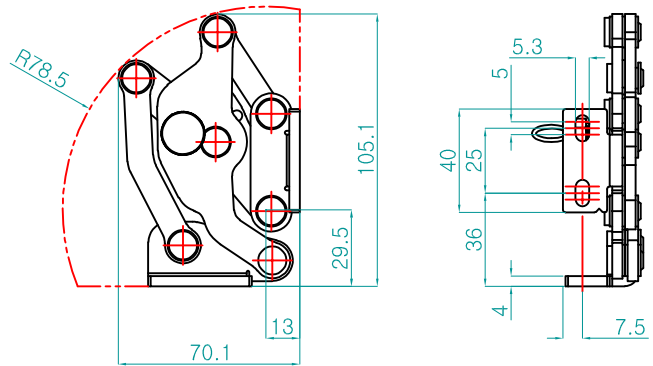


The use or communication of the contents there of are forbidden without express authority. (당사의 사전 허락없이 무단 전제 및 복사를 금함)

NO	REVISION RECORD	DATE	CHK.	APPR.



TOLERANCE(mm) (KS B 0412에 준함)	
6 이하	±0.05
6 ~ 30	±0.1
30 ~ 120	±0.15
120 ~ 315	±0.2
300 ~ 1000	±0.3
1000 ~ 2000	±0.5

FINISH	MATERIAL	UNIT	mm	NO.	DESCRIPTION	DWG. NO	QTY	REMARK
Barrelling 바렐연마	SUS304 t=4.0	APP. DWG.	2022.04.01		DWG. NO. PART NAME	-		V1.0
QTY	Hardware			1/1	ASS'Y NAME	Multi Joint Hinge		
1 EA/SET				A3	MODEL NO.	CH-MJH-2-1		