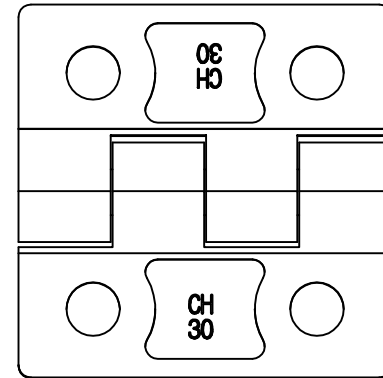
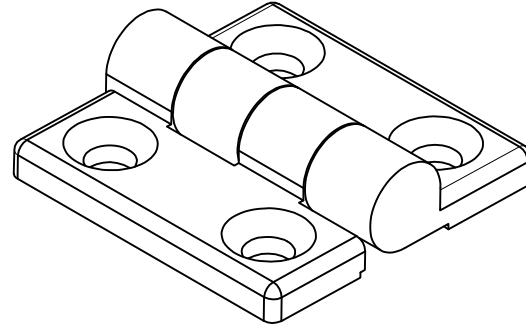
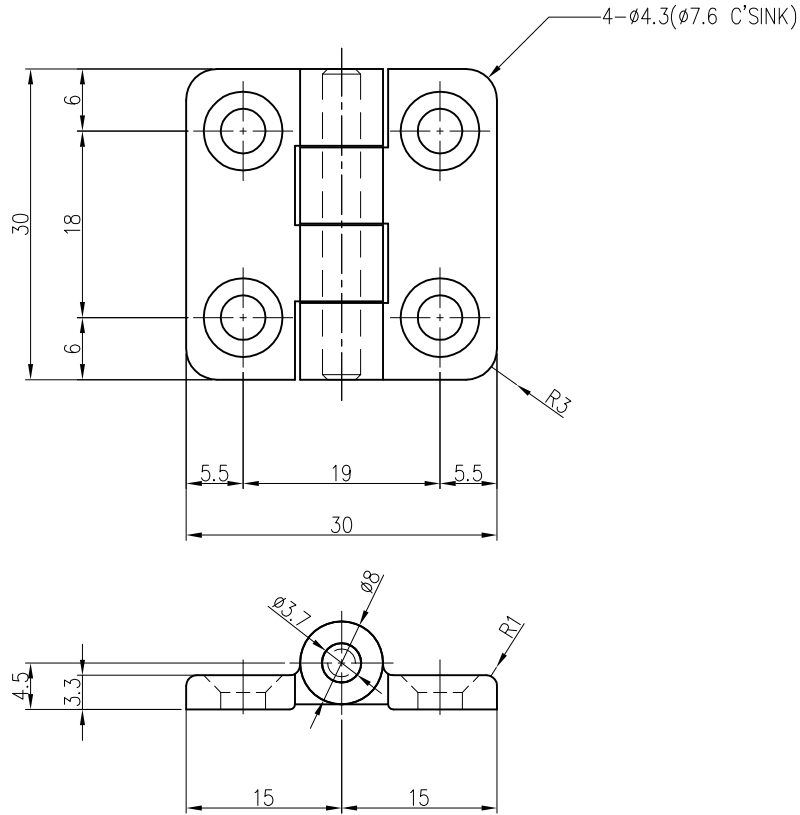


The use or communication of the contents there of are forbidden without express authority.(당사의 사전 허락없이 무단 전제 및 복사를 금함)

NO	REVISION RECORD	DATE	CHK.	APPR.



TOLERANCE(mm)
(KS B 0412에 준함)

6 이하	± 0.05
6 ~ 30	± 0.1
30 ~ 120	± 0.15
120 ~ 315	± 0.2
300 ~ 1000	± 0.3
1000 ~ 2000	± 0.5

Note

1. 규격 :
2. 재료 :

FINISH	MATERIAL	UNIT	mm	NO.	DESCRIPTION	DWG. NO	QTY	REMARK
광택연마	SUS 304	APP.			DWG. NO.	-		V1.0
	t=3.3	DWG.	2019.08.16		PART NAME	-		
QTY				1/1	ASS'Y NAME	-		
1 EA/SET	Hardware			A3	MODEL NO.	CH-3030-30		