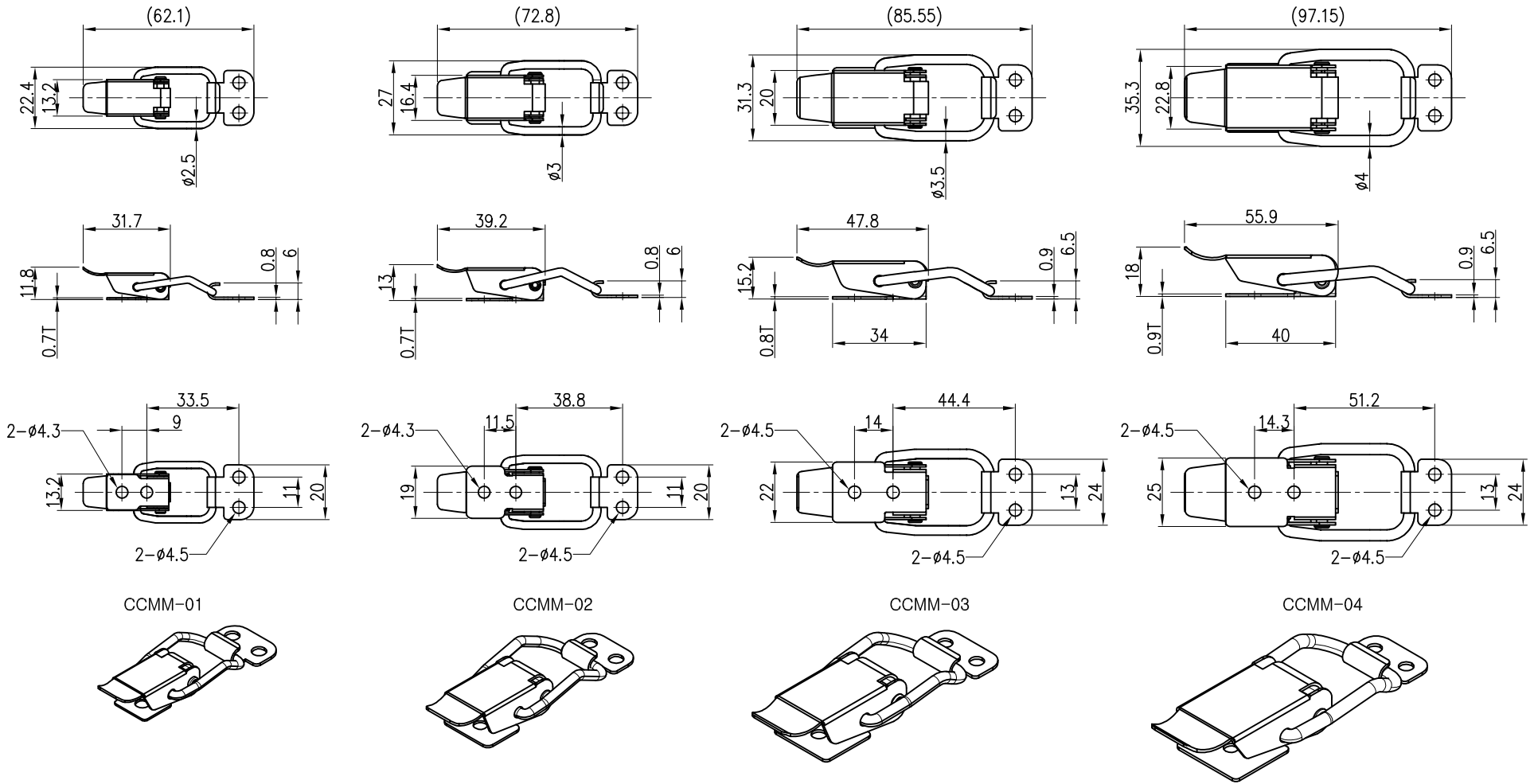


The use or communication of the contents there of are forbidden without express authority. (당사의 사전 허락없이 무단 전제 및 복사를 금함)

NO	REVISION RECORD	DATE	CHK.	APPR.



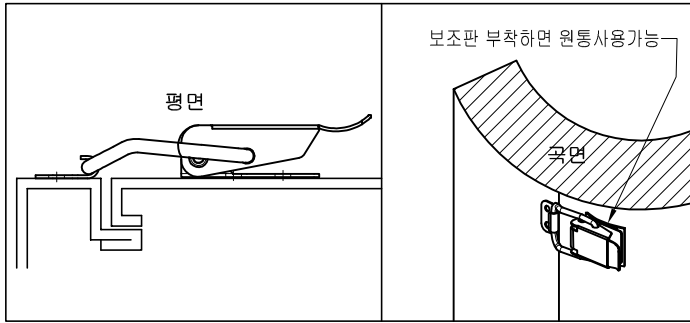
CCMM-01

CCMM-02

CCMM-03

CCMM-04

TOLERANCE(mm) (KS B 0412에 준함)	
6 이하	±0.05
6 ~ 30	±0.1
30 ~ 120	±0.15
120 ~ 315	±0.2
300 ~ 1000	±0.3
1000 ~ 2000	±0.5



FINISH	MATERIAL	UNIT	mm	NO.	DESCRIPTION	DWG. NO	QTY	REMARK
바렐연마	SUS 304 t=0.6/0.7/0.8/0.9	APP. DWG.	2021.03.01		DWG. NO. PART NAME	-	-	V1.0
QTY	Hardware			1/1	ASS'Y NAME	Clip Catch		
1 EA/SET	A3				MODEL NO.	CCMM		