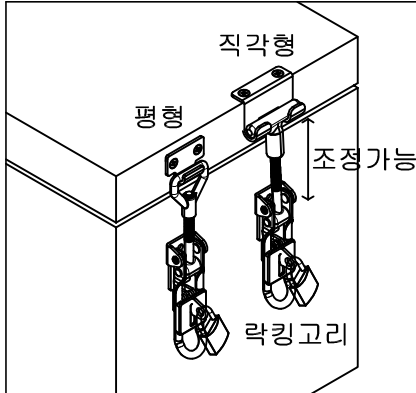
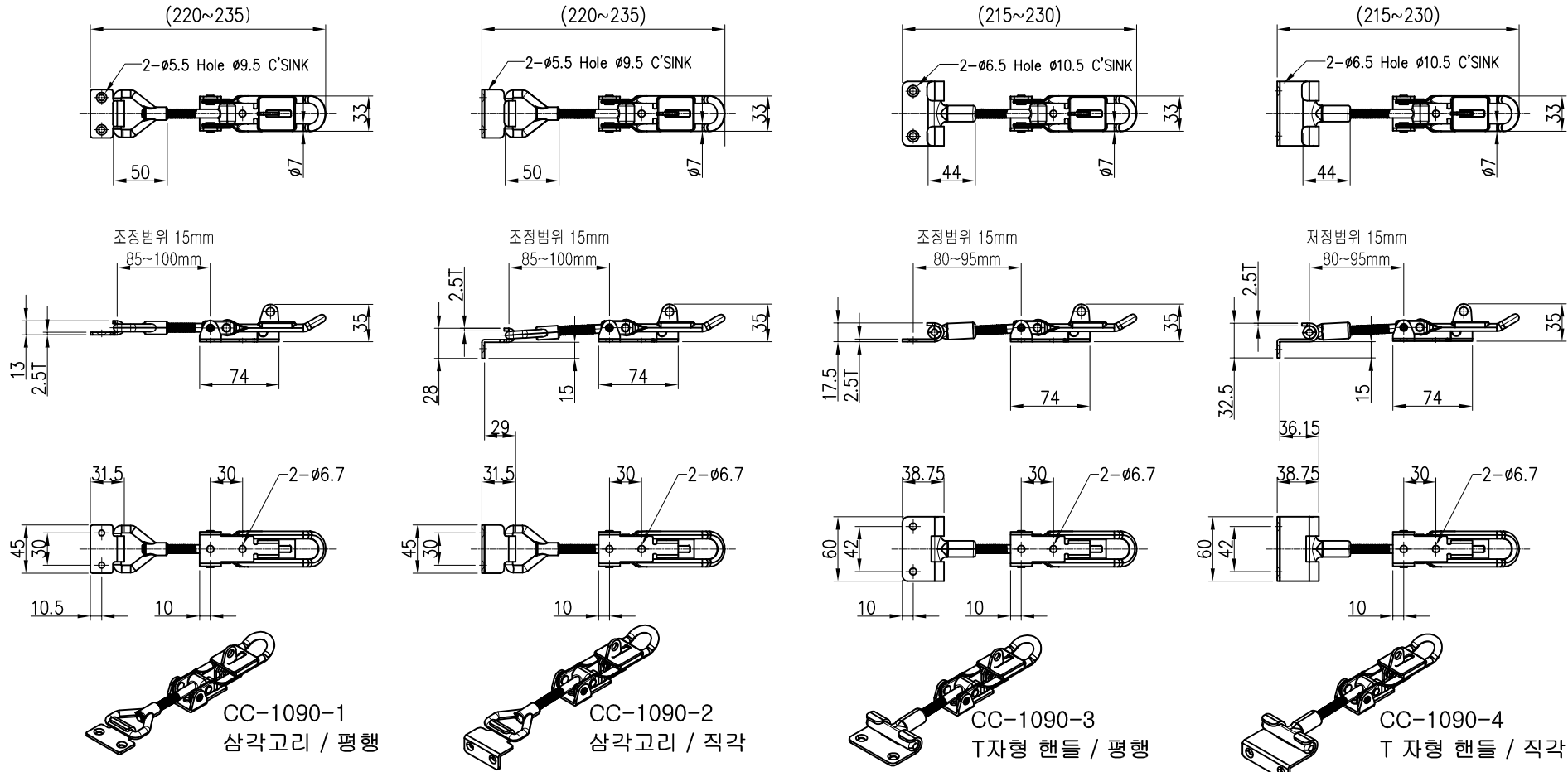


The use or communication of the contents there of are forbidden without express authority. (당사의 사전 허락없이 무단 전제 및 복사를 금함)

NO	REVISION RECORD	DATE	CHK.	APPR.



TOLERANCE(mm) (KS B 0412에 준함)	
6 이하	±0.05
6 ~ 30	±0.1
30 ~ 120	±0.15
120 ~ 315	±0.2
300 ~ 1000	±0.3
1000 ~ 2000	±0.5

FINISH	MATERIAL	UNIT	mm	NO.	DESCRIPTION	DWG. NO	QTY	REMARK
바렐연마	SUS 304	APP.	2021.04.05	1/1	DWG. NO.	-	-	V1.0
		DWG.			PART NAME	-		
QTY	Hardware			A3	ASS'Y NAME	-		
1 EA/SET					MODEL NO.			