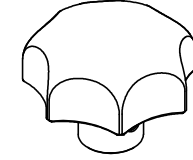
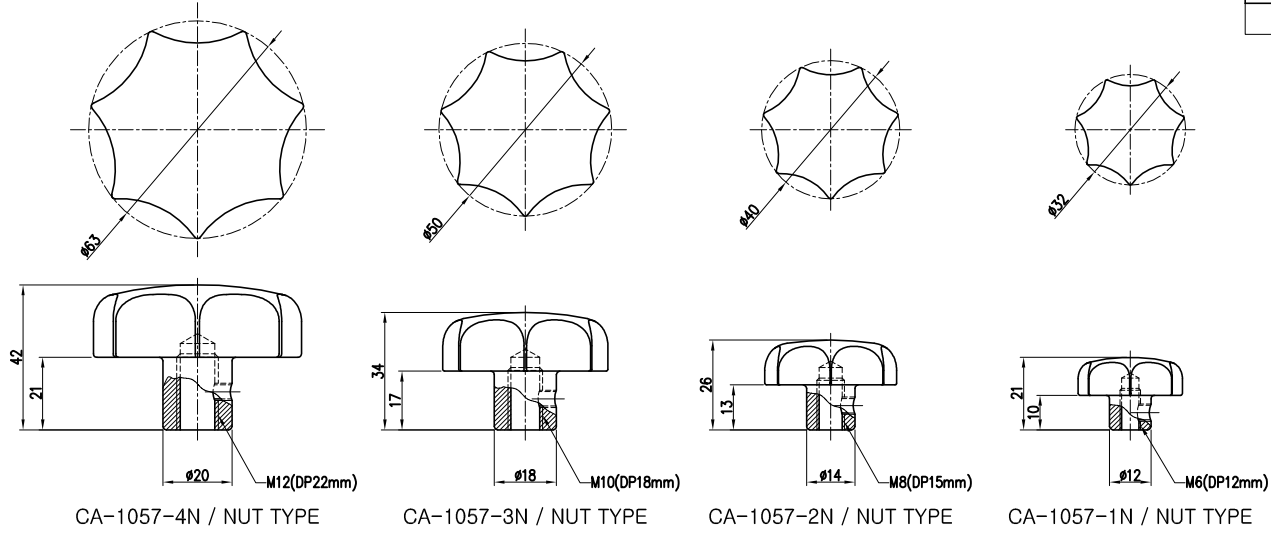
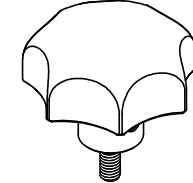
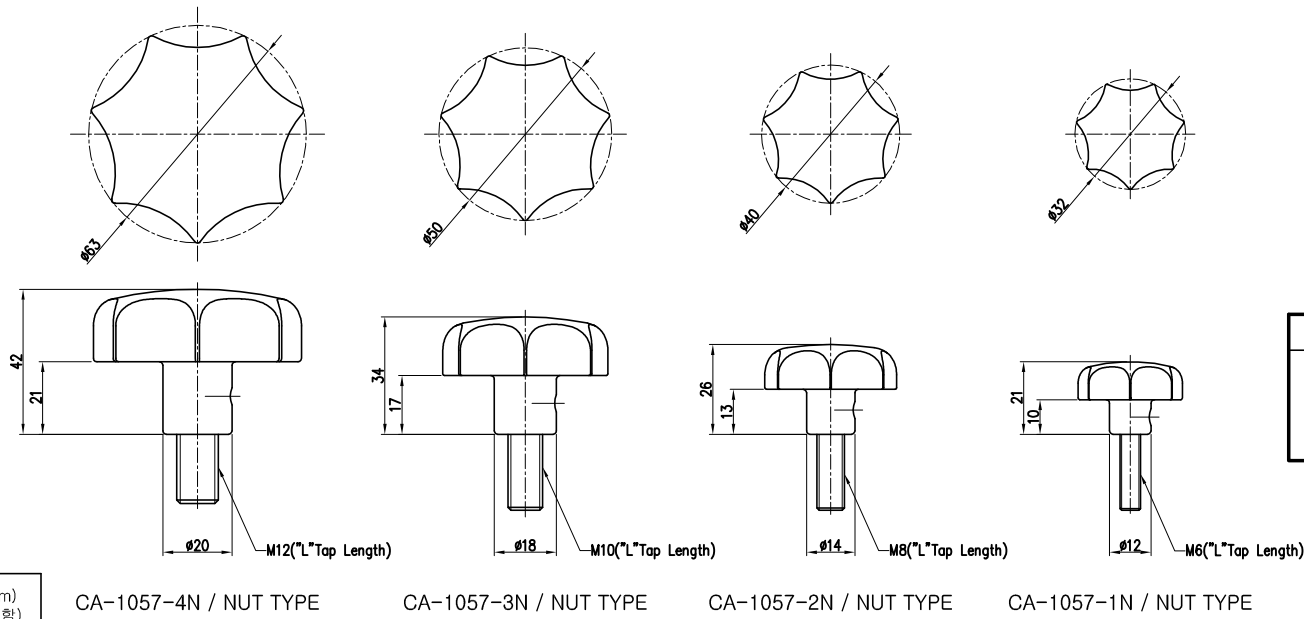


The use or communication of the contents there of are forbidden without express authority. (당사의 사전 허락없이 무단 전제 및 복사를 금함)

NO	REVISION RECORD	DATE	CHK.	APPR.



TYPE	제품명	M	Tap Depth (mm)
NUT	CA-1057-1N	M6	12
	CA-1057-2N	M8	15
	CA-1057-3N	M10	18
	CA-1057-4N	M12	22



TYPE	제품명	M	L (Tap Length / ±1mm)
BOLT	CA-1057-1B	M6	15, 20, 25
	CA-1057-2B	M8	15, 20, 30, 40, 50
	CA-1057-3B	M10	15, 25, 30, 40, 50, 60
	CA-1057-4B	M12	15, 20, 30, 40

TOLERANCE(mm)
(KS B 0412에 준함)

6 이하	±0.05
6 ~ 30	±0.1
30 ~ 120	±0.15
120 ~ 315	±0.2
300 ~ 1000	±0.3
1000 ~ 2000	±0.5

CA-1057-4N / NUT TYPE CA-1057-3N / NUT TYPE CA-1057-2N / NUT TYPE CA-1057-1N / NUT TYPE

FINISH	MATERIAL	UNIT	mm	NO.	DESCRIPTION	DWG. NO	QTY	REMARK
도금 : 광택연마	STS316	APP.	2019.01.14	S.H,KIM	DWG. NO.	-	-	V1.0
도장 : -	CASTING	DWG.	2019.01.14	S.H,OH	PART NAME	-	-	-
QTY				1/1	ASS'Y NAME	스텐 칠각노브		
1 EA/SET	Hardware			A3	MODEL NO.	CA-1057 SRS		