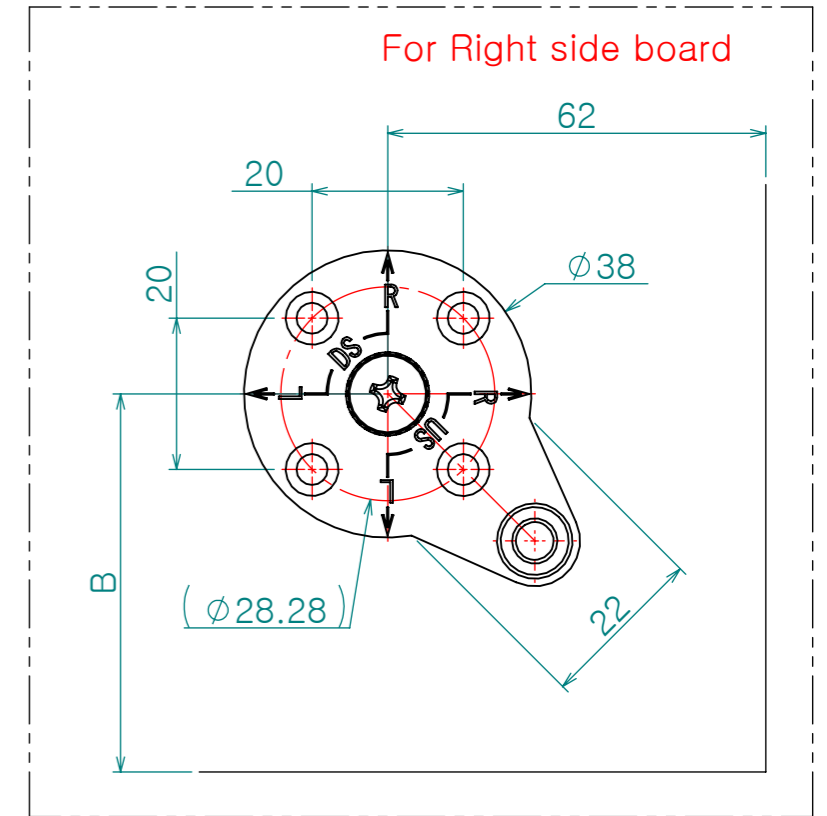
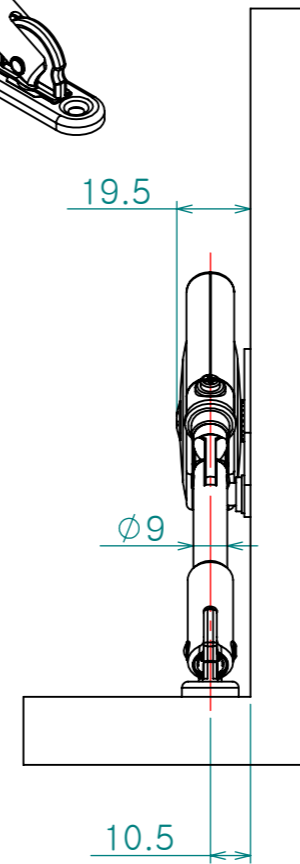
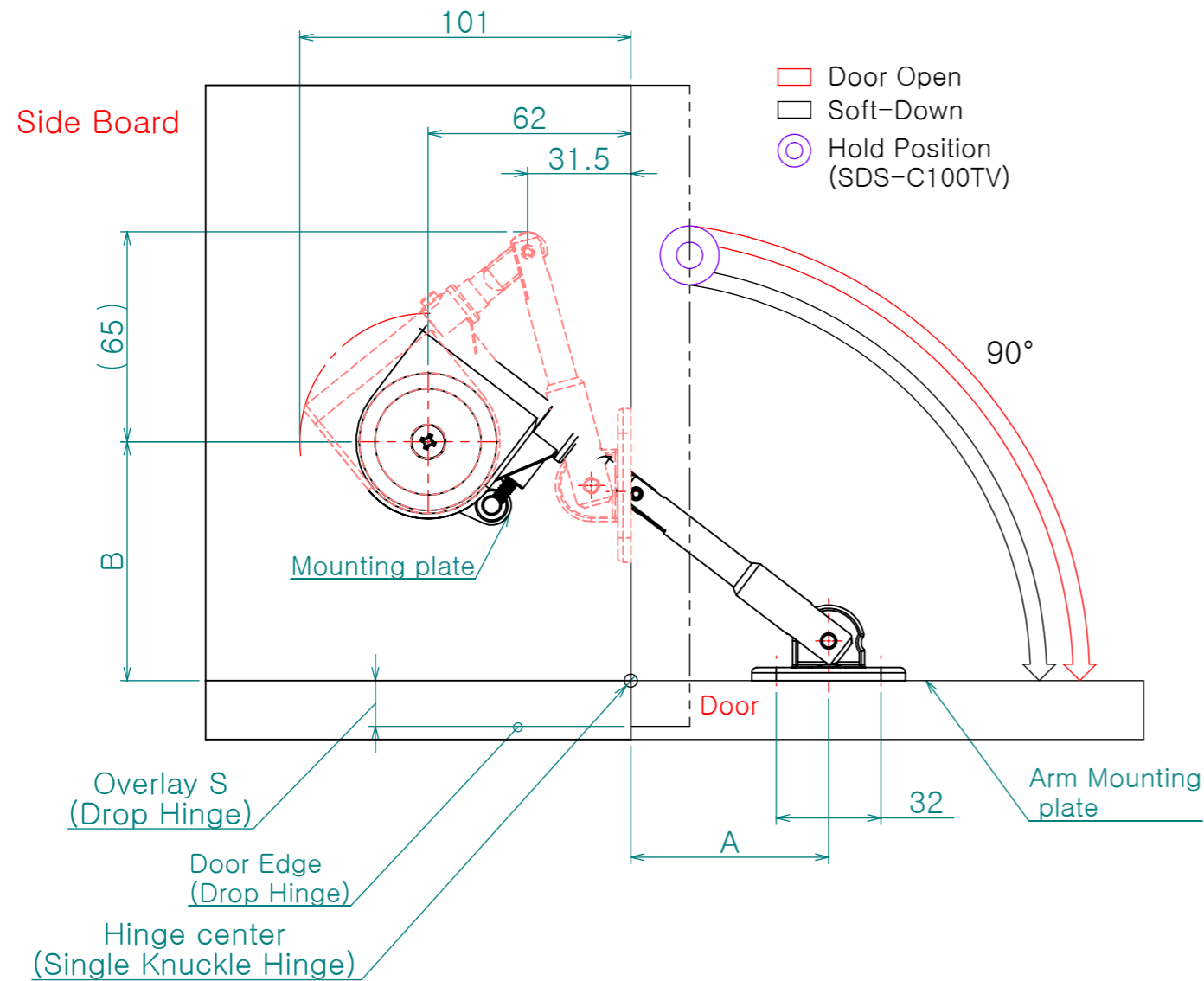


Re. No.	DESCRIPTION	DATE	DS.	CH.	AP.
△					
△					
△					

Mounting Plate SDS-A



Hinge Type	A	B
Single Knuckle Hinge	60	73
Drop Hinge (SDH-001)	49 + S	62 + S

S: Overlay Coverage in case of drop hinge (14~16mm)

제품명	Spec.	Color	Torque Momet	
CE-SDS-C100B-TV	Without Catch	Black	0.49~1.18N·m	5~12kgf·cm

Dimension (mm)	Precision	Material **	Dwg. No.	QTY **
0.5~3	±0.05	Finish **	Part Name. **	Weight -
3~6				
6~30	±0.1	Revision -	Sheet Size A3	Ass'y Name **
30~120	±0.15			
120~315	±0.2			
315~1000	±0.3	Date 2013-12-30	Designed by <i>Shin S H</i>	Model No. CE-SDS-C100B-TV
1000~2000	±0.5	Checked by	Approved by	
KS B 0412에 준함				