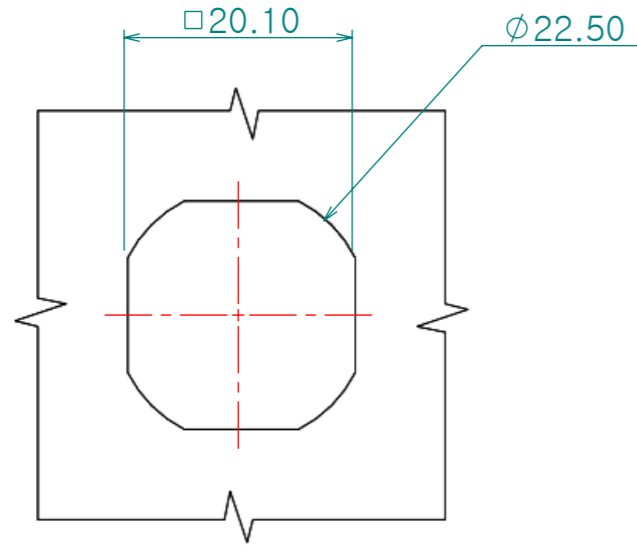
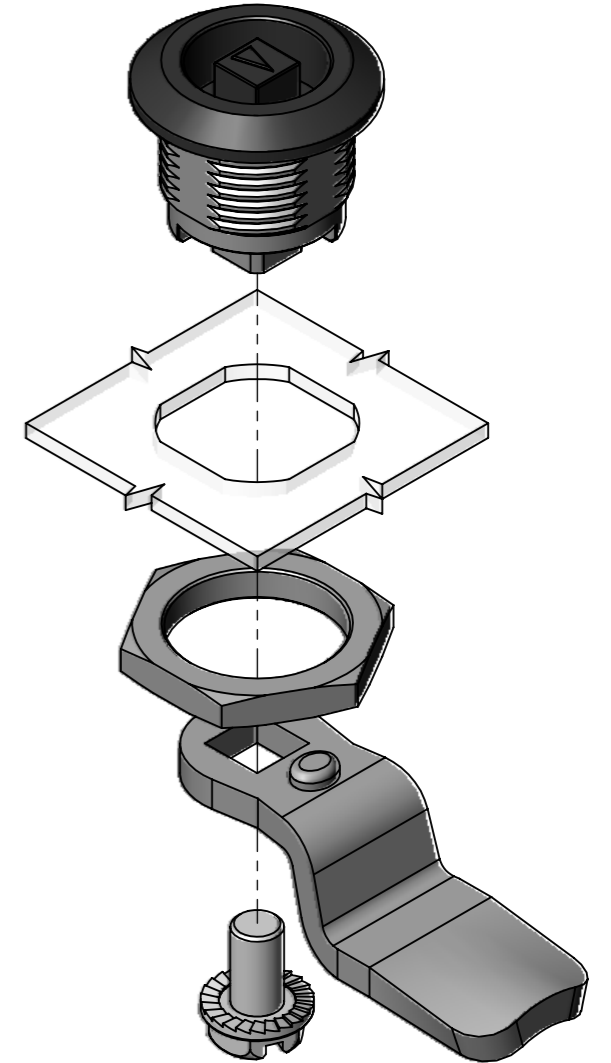
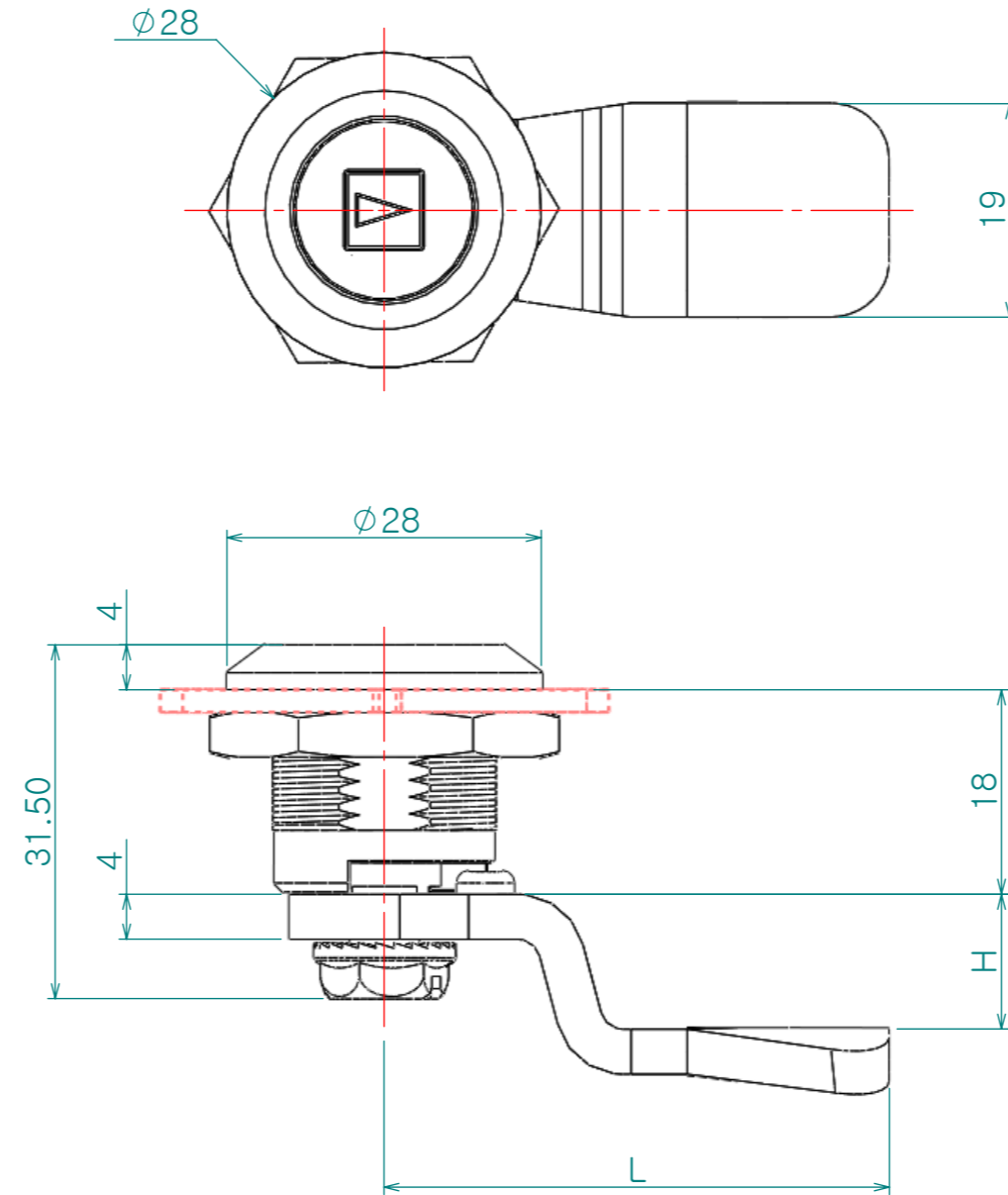
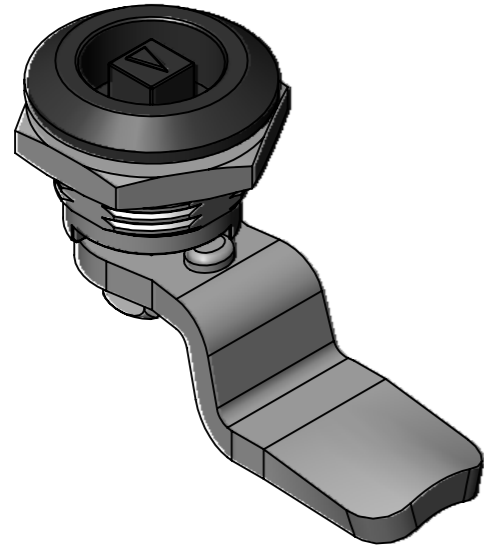
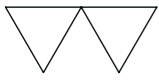


Re. No.	DESCRIPTION	DATE	DS.	CH.	AP.
△					
△					
△					



PANEL DRILLING DIMENSIONS

Note

- 1. 특징 :
- 2. 용도 :

품명	H	L
CC-1020-1	12	45
CC-1020-2	15	
CC-1020-3	7	
CC-1020-4	18	
CC-1020-5	2	
CC-1020-6	22	57
CC-1020-7	12	

Dimension (mm)	Precision	Material	Dwg. No.	QTY
0.5~3	±0.05	아연합금(Zinc)	Part Name.	**
3~6		블랙		**
6~30	±0.1	Revision	Sheet Size	-
30~120	±0.15	-	A3	Scale
120~315	±0.2	Date	Designed by	1.5:1
315~1000	±0.3	2016-09-09	Shin S H	Model No.
1000~2000	±0.5	Checked by	Approved by	
KS B 0412에 준함				

