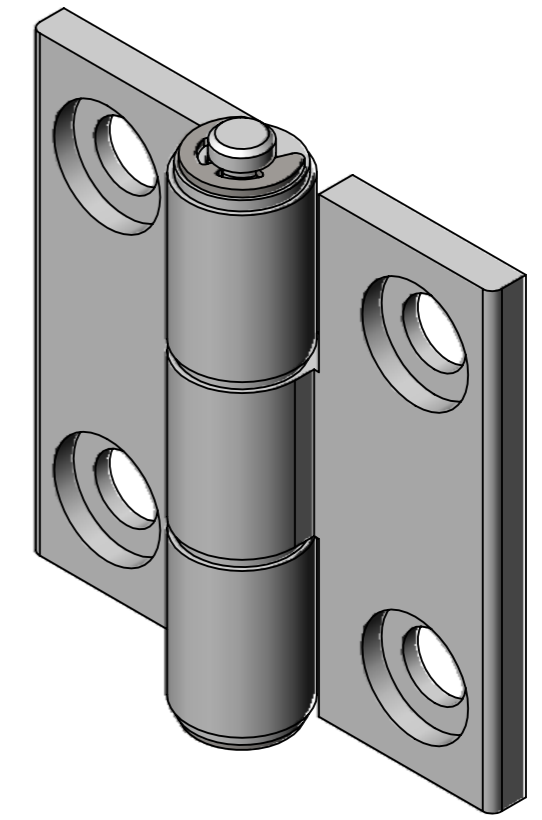
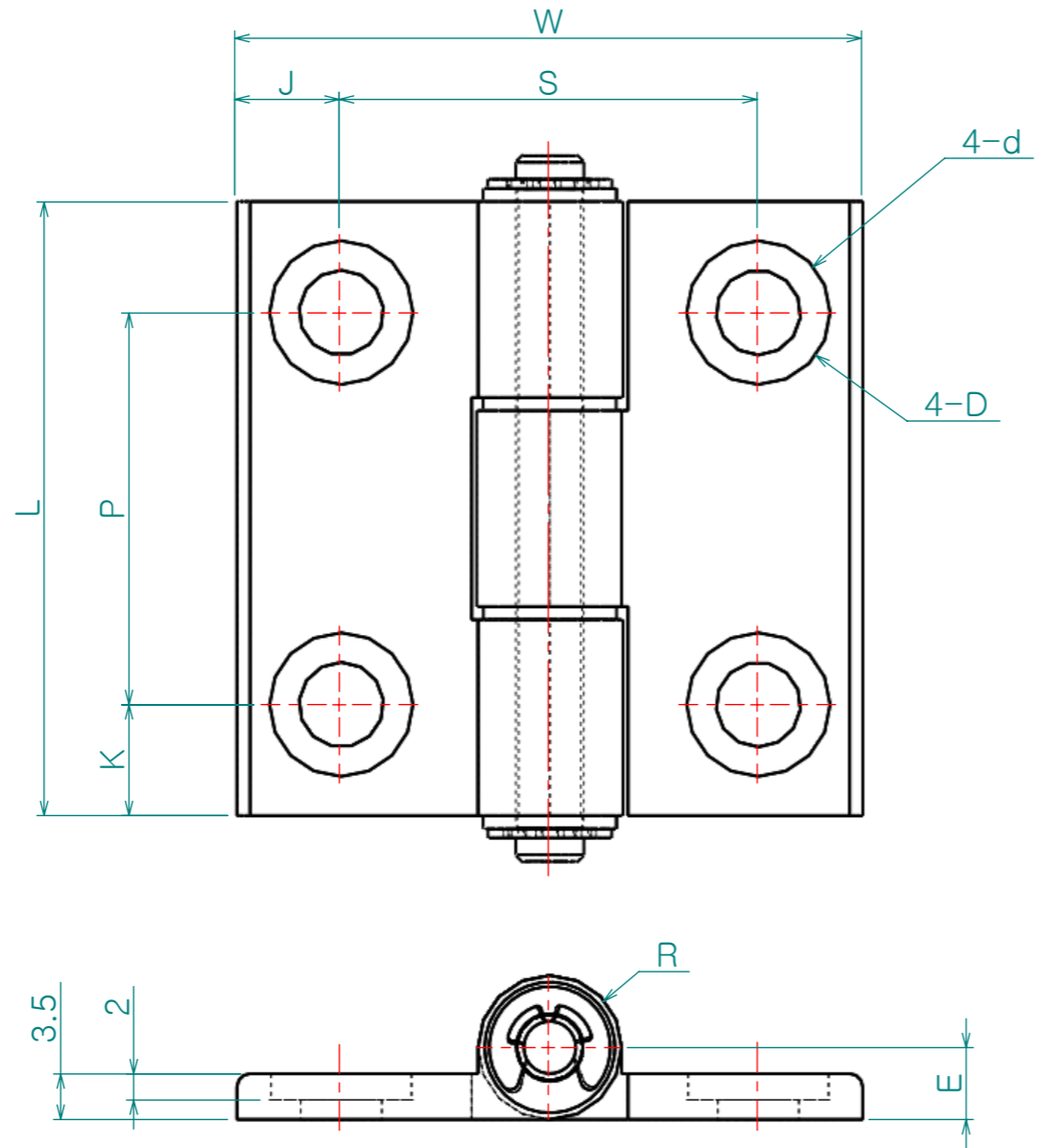


Dwg. No.

Re. No.	DESCRIPTION	DATE	DS.	CH.	AP.
△					
△					
△					



제품명	L	W	K	P	J	S	d	D	E	R
CH-HHPSNT1	47	36	11	25	7.5	21	5.5	10	5	5
CH-HHPSNT2		48	8.5	30	8	32	6.5	11	5.5	5.5
CH-HHPSNT3	63	62	13	37	10	42				

※ 표면처리 - 백색 알루미트

Dimension (mm)	Precision	Material	Dwg. No.	QTY
0.5~3	±0.05	A6063S	Part Name.	**
3~6		Finish		**
6~30	±0.1	알루미트 처리	Ass'y Name	-
30~120	±0.15	Revision	**	Scale
120~315	±0.2	Sheet Size	1.8:1	
		A3	Model No.	
315~1000	±0.3	Date	CH-HHPSNT	
1000~2000	±0.5	2017-08-02	Hardware	
		Designed by		
		Shin S H		
		Checked by		
		Approved by		
KS B 0412에 준함				