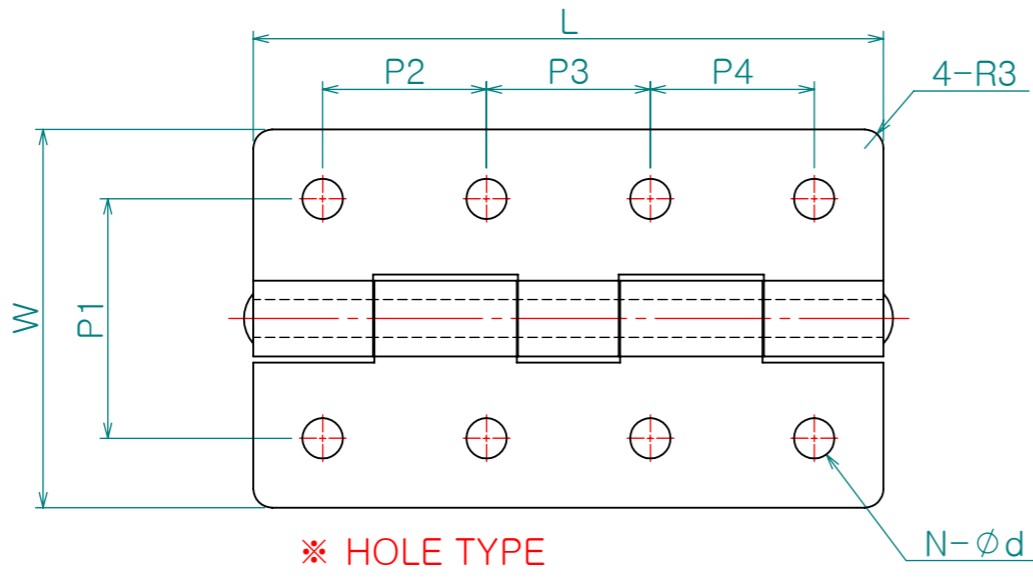
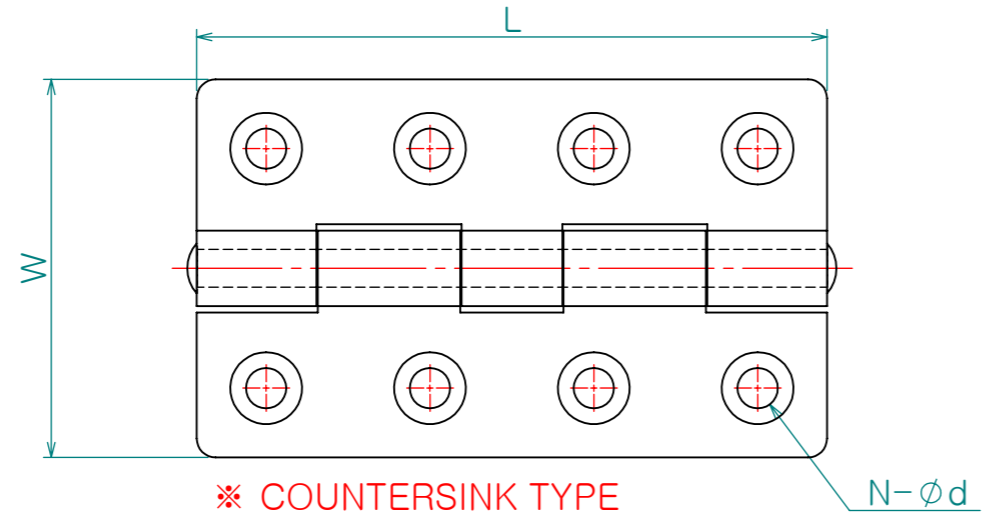
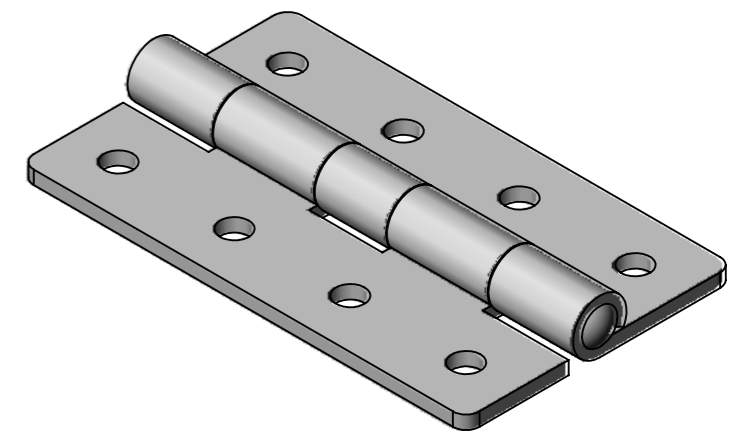
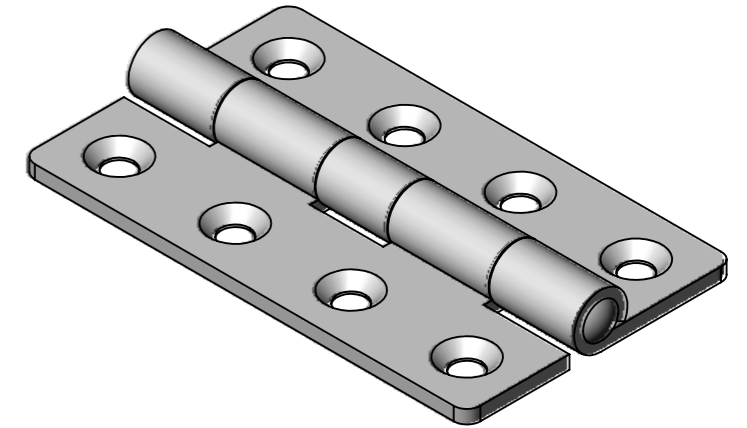


Dwg. No.



Re. No.	DESCRIPTION	DATE	DS.	CH.	AP.
△					
△					
△					



제품명	L	W	P1	P2	P3	P4	T	D1	D2	N-φd	φB
CH- 002-40, C	40	35	22	26	-	-	1.5	3	6	4-3.2	6.2
CH- 002-50, C	50	35	22	34	-	-	1.5	3	6	4-4.3	7.6
CH- 002-65, C	65	50	30	23	23	-	2	4.5	8.5	6-4.3	7.6
CH- 002-75, C	75	50	30	27	27	-	2	4.5	8.5	6-5.3	9.3
CH- 002-75S	75	50	30	27	27	-	3	6	12	6-M5 C/S	10.5
CH- 002-90, C	90	60	38	35	35	-	3	6	12	6-6.4	11.4
CH- 002-100, C	100	60	38	26	26	26	3	6	12	8-6.4	11.4

* C- COUNTERSINK TYPE 입니다.

Dimension (mm)	Precision	Material	Dwg. No.	QTY
0.5~3		STS304		**
3~6	±0.05	Finish	Part Name.	Weight
6~30	±0.1	광택연마	-	-
30~120	±0.15	Revision	Ass'y Name	Scale
120~315	±0.2	-	**	1:1.2
315~1000	±0.3	Date	Model No.	
1000~2000	±0.5	2017-08-02	CH- 002	
KS B 0412에 준함		Designed by		
		Shin S H		
		Checked by		
		Approved by		