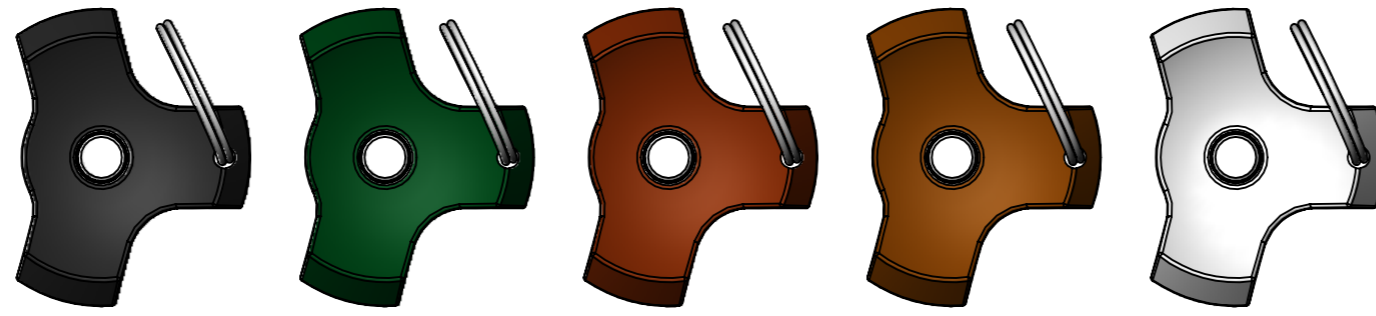
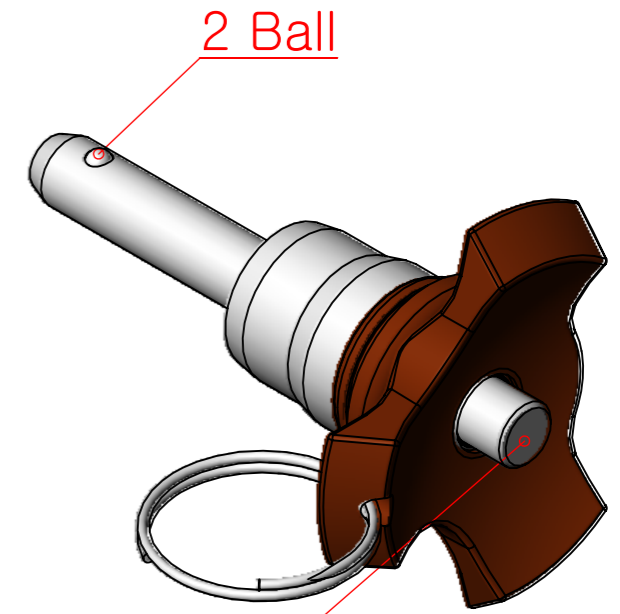
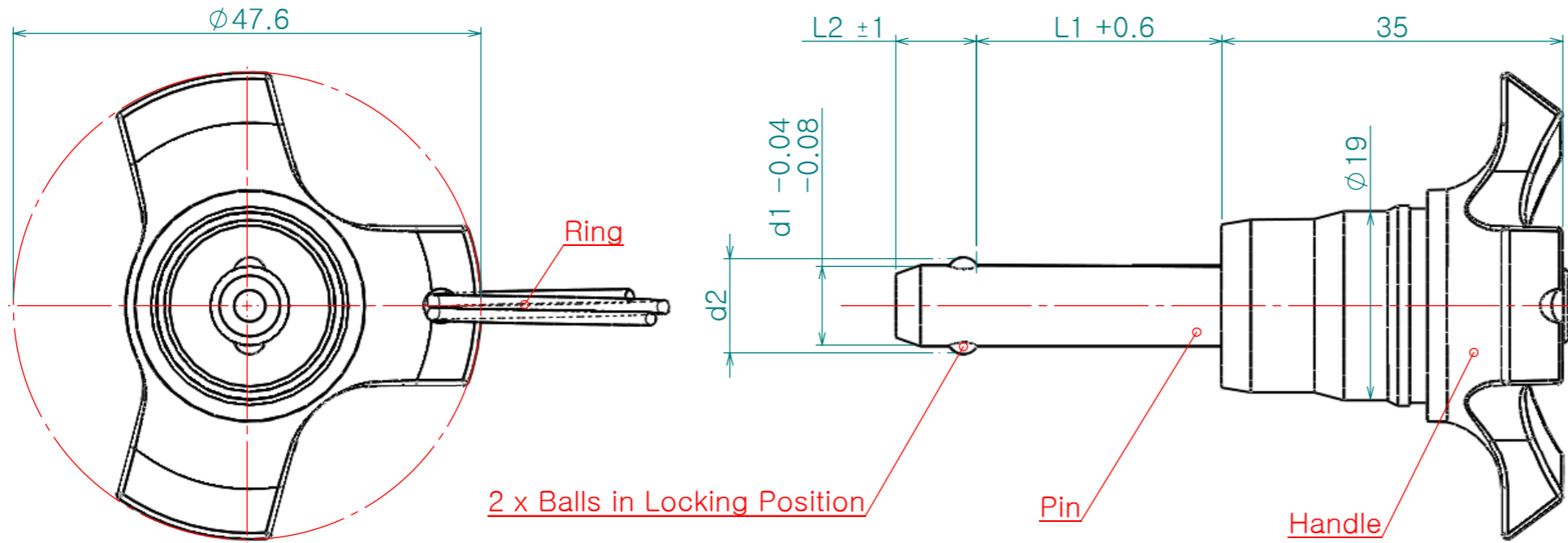


Re. No.	DESCRIPTION	DATE	DS.	CH.	AP.
△					
△					
△					



B - Black    G - Green    R - Rad    O - Orange    W - White



제품명	L (선택)	d1	L1	d2	L2
CS-P008-5L	10, 15, 20, 25, 30	5	20	5.5	6
CS-P008-6L	10, 15, 20, 25, 30, 35, 40, 45, 50	6	25	7	7
CS-P008-8L	20, 25, 30, 35, 40, 45, 50	8	30	9.6	8.2
CS-P008-10L	20, 25, 30, 35, 40, 45, 50, 60	10	35	12	9.6
CS-P008-12L	25, 30, 35, 40, 45, 50, 60, 70, 80	12	40	14.5	10.6

※ 재 질 : Handle - 나일론 (PA 6)  
Pin - 스테인리스

※ Handle 부 색상- B - Black  
G - Green  
R - Rad  
O - Orange  
W - White

※ 선택사항  
연결체인 ( CS-PLC ) 참조.

Dimension (mm)	Precision	Material	Dwg. No.	QTY
0.5~3		-		**
3~6	±0.05	Finish	Part Name.	Weight
6~30	±0.1	-	**	-
30~120	±0.15	Revision	Sheet Size	Scale
120~315	±0.2	-	<b>A3</b>	1.6:1
315~1000	±0.3	Date	Designed by	Model No.
1000~2000	±0.5	2017-09-14	Shin S H	<b>CS-P008</b>
KS B 0412에 준함		Checked by	Approved by	